



Installation, Maintenance & Operation Guide

P.O. Box 35229
Greensboro, NC 27425
1-800-635-0101
or (336) 668-0554
fax: 1-800-876-0109
or (336) 668-4070

sales@americanvalve.com
<http://www.americanvalve.com>

Model 3700 Ball Valve®

This document contains information pertaining to American Valve models 3700 and 3700V. American Valve reserves the right to change design features from time to time. Diagrams and descriptions in this guide may not exactly match your particular valve. If you are unsure of or do not completely understand a particular procedure, please consult the factory.

WARNING

For your personal safety and protection, it is important that you observe the following precautions before removing the valve from service or disassembling the valve.

1. Never adjust exterior screws or bolts while the valve is pressurized.
2. Keep hands and fingers out of the valve.
3. It is possible that residual media or pressure may be trapped inside the valve cavity. Ensure that the line and valve are properly depressurized and be aware of any residual harmful substances that may still be present.
4. To depressurize the valve:
 - a. Repeatedly open and close the valve to both drain the line and relieve any residual pressure in the valve cavity. Leave the valve in the open position.
 - b. Repeat this procedure once the valve is removed from the line and standing in the vertical position.
5. Exercise caution when handling a valve that has been used to control hazardous media. It is recommended that the valve and line be thoroughly flushed prior to removal and/or disassembly. Cycle the valve slowly while flushing to clear the cavity.

CAUTION

3700 Series Ball Valves feature a double "o"-ring stem with non-adjustable packing. Do not remove the stem retainer plate while the valve is under pressure.

1. Installation

1. Prior to installation, all valves and mating flanges should be inspected to ensure gasket surfaces are free from defects.
2. The valve and line should be free from dirt and debris, which can damage valve seats.
3. Piping should be checked for proper alignment and appropriate supports. Valves should never be used to align or brace improperly positioned pipe. **OVER-TIGHTENING FLANGE BOLTS TO COMPENSATE FOR EXCESS FLANGE SPACING COULD CAUSE THE VALVE BODY TO CRACK.**
4. 3700 Series valves can be installed for flow in either direction. Visually inspect valve for foreign matter.
5. Install valve into pipeline and tighten flange bolts (3700) evenly according to recommendations of gasket manufacturer. For grooved-end products (3700V), refer to installation instructions provided with the coupling.
6. DO NOT TIGHTEN OR OTHERWISE ADJUST BODY BOLTS. THEY ARE AT A PRE-SET EVENLY DISTRIBUTED TORQUE. OVERTIGHTENING OF ONE SIDE MAY CAUSE LEAKAGE, AND NECESSITATE BODY SEAL REPLACEMENT.

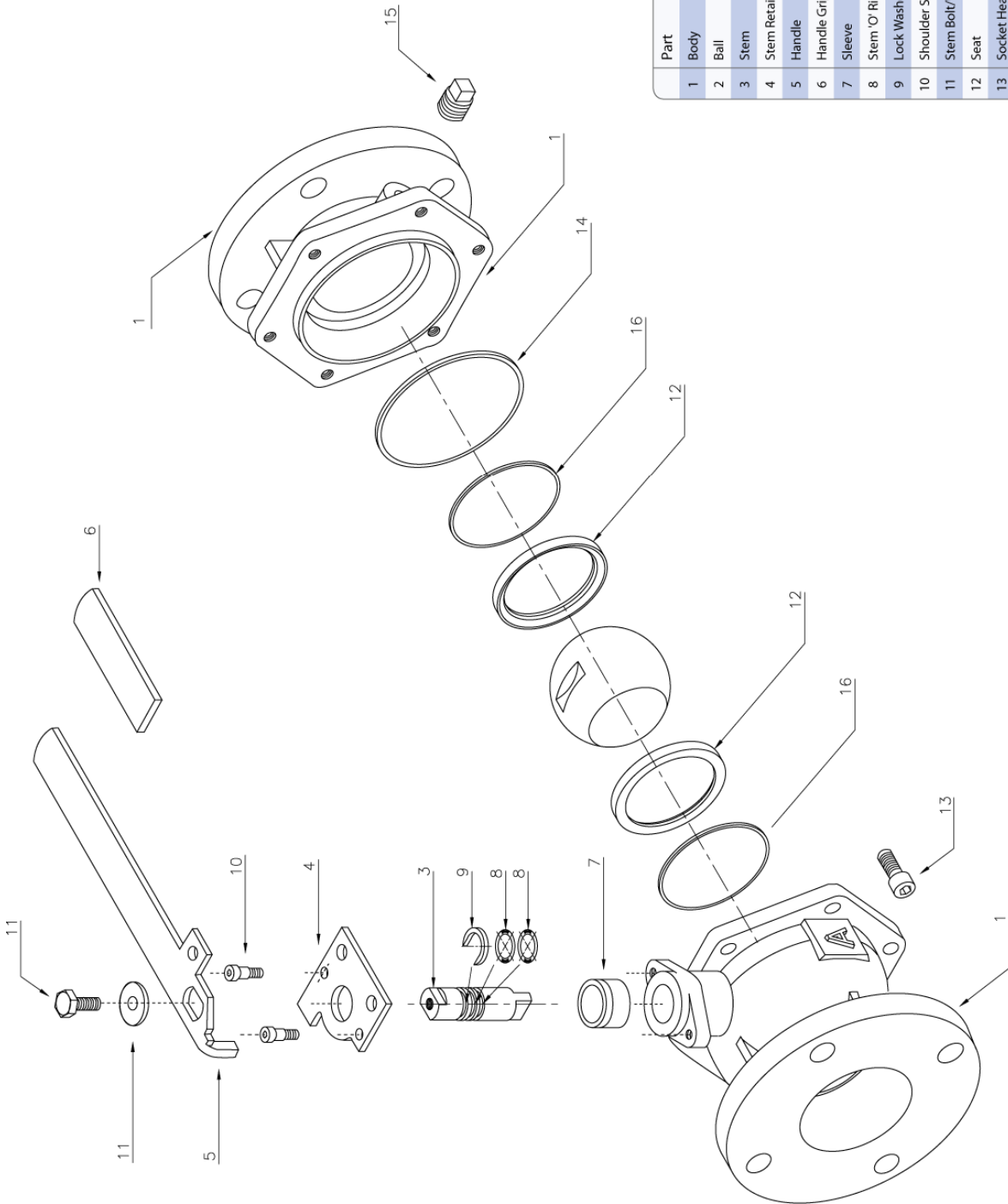
2. Operation

1. The operation of 3700 Series ball valves consists of rotating the handle 90° (1/4 turn) counter-clockwise to open.
2. When the valve is in the open position, the handle is parallel to the pipeline.
3. When the valve is in the closed position, the handle is perpendicular to the pipeline.
4. Media which can solidify, crystallize, or polymerize should not be allowed to stand in ball valve cavities.

3. General Maintenance

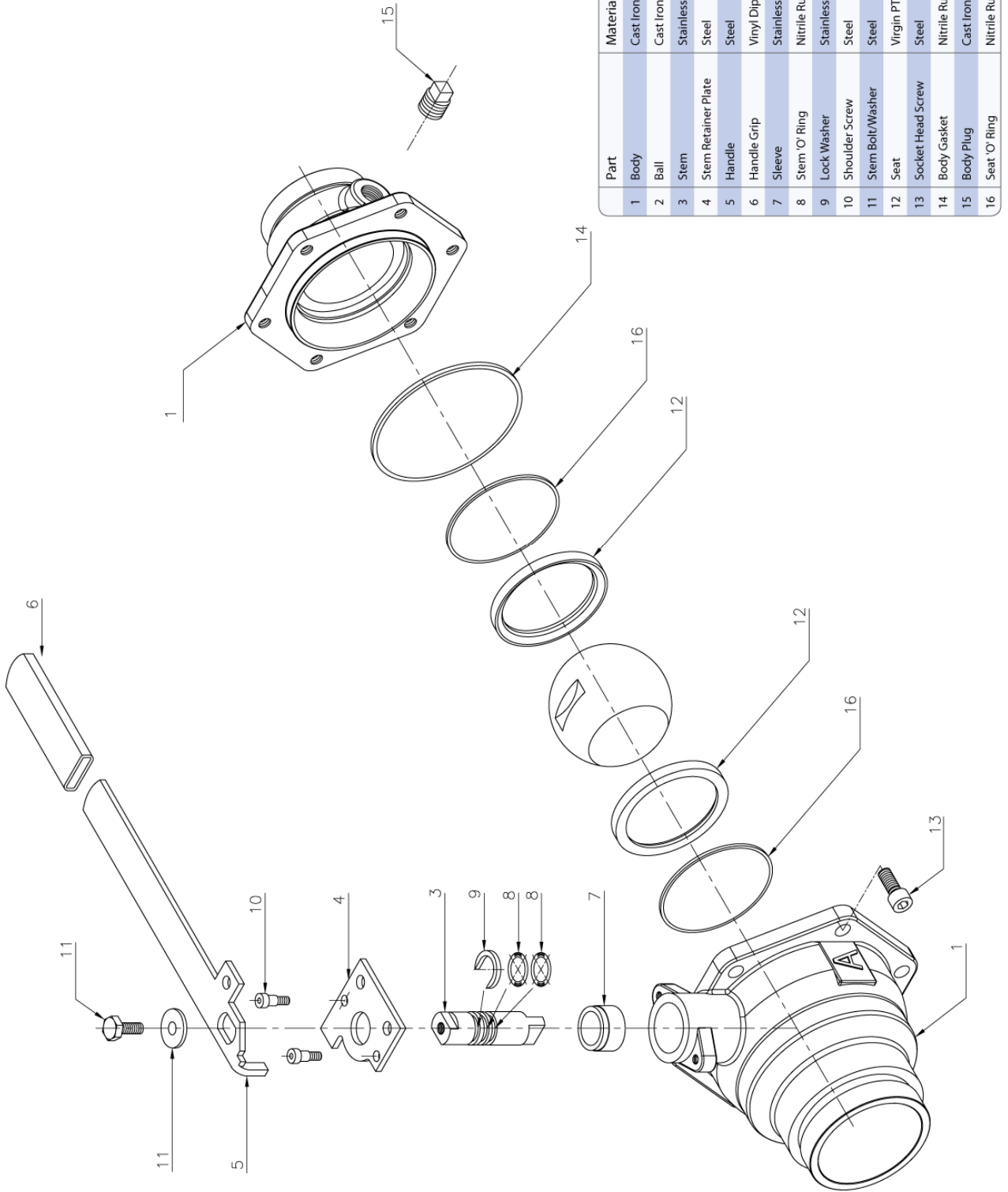
1. Replacement seats and body seals are not available for 3700 series valves. Consult the factory for all repair needs.
2. Body bolts are tightened to pre-set torques evenly distributed around the body. Any tightening or loosening of these bolts may result in leakage through the body gasket. Should this occur, consult the factory for repair options.
3. No special tools are needed for maintenance of American Valve 3700 series valves.

3700 Flanged-End



Part	Material
1	Cast Iron/A48 Class 30
2	Cast Iron/Teflon® Fused
3	Stainless Steel
4	Stem Retainer Plate
5	Steel
6	Steel
7	Vinyl Dipped Plastisol
8	Stainless Steel
9	Nitrile Rubber (Buna-N)
10	Lock Washer
11	Shoulder Screw
12	Seat
13	Socket Head Screw
14	Body Gasket
15	Body Plug
16	Seat O' Ring

3700V Grooved-End



Part	Material
1	Cast Iron/A48 Class 30
2	Cast Iron/Teflon® Fused
3	Stainless Steel
4	Stem Retainer Plate
5	Steel
6	Steel
7	Vinyl Dipped Plastisol
8	Stainless Steel
9	Nitrile Rubber (Buna-N)
10	Lock Washer
11	Shoulder Screw
12	Stainless Steel
13	Socket Head Screw
14	Virgin PTFE
15	Steel
16	Nitrile Rubber (Buna-N)