

# MODEL #13 SPEC SHEET BRONZE GLOBE VALVE WITH FIP THREADED ENDS

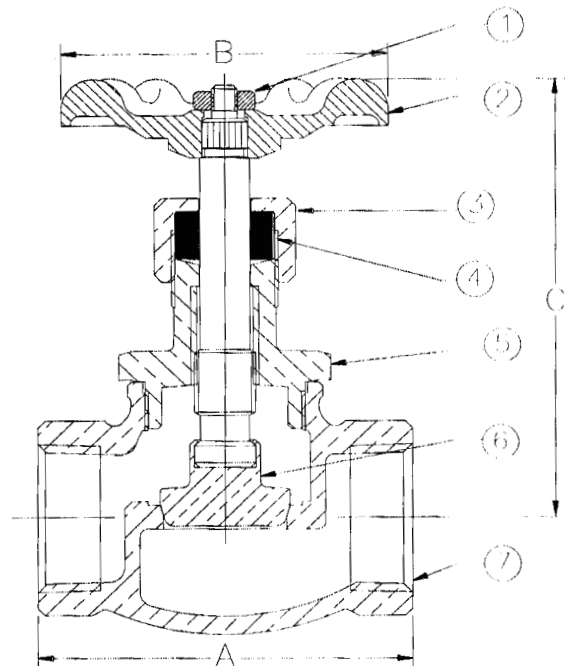
Metal to Metal Seat & Disc  
125 lbs. WSP @ 350° Max  
200 WOG  
Threaded Ends  
Rising Stem  
Swivel Disc Holder

\*Contains Lead. Not intended for use in  
Portable Water Systems.



## MATERIALS

NO.	DESCRIPTION	MATERIAL
1	Hex Nut	Steel
2	Hand Wheel	Zinc or Ductile Iron
3	Packing Nut	Brass
4	Packing	Graphite Non-Asb.
5	Bonnet (1/4" - 1") Bonnet (1 1/4" - 2")	Brass Bronze
6	Stem & Disc Holder	Brass
7	Body	Bronze



## SIZES

SIZE	SIZE							
	1/4"	3/8"	1/2"	3/4"	1"	1 1/4"	1 1/2"	2"
A	1.75	1.84	2.22	2.47	2.97	3.56	4.06	4.69
B	1.75	1.75	2.03	2.38	2.75	3.00	3.72	3.72
C (closed)	2.88	3.13	3.38	3.50	4.25	4.75	5.50	5.50
Ship Wt. (lbs.)	0.44	0.56	0.80	1.00	1.81	2.57	3.69	5.88



SUBMITTED BY:

DATE: