



Features & Benefits

Model 2200F Balancing Valve:

- Sizes: 2 ½" to 10"
- Pressure Rating:
200 PSI (1378 kPa)
- Maximum Temperature: 250°F/
121°C
- Flow rate Range: 0.8- 7925 gal/min
- Accuracy: +/- 5.0%
- Class 125 ANSI B16.1 Flanged
- Ductile Iron A536 65-45-12
- Globe Style, Gauge Taps
- Double Regulating
- Unidirectional
- Hand wheel with Valve Setting
Indicator
- Internal & External Epoxy Coating
- Massachusetts Plumbing Board
Approved
- Flow Coefficient data available*

Overview

The American Valve 2200 flanged circuit setter balancing valve is a pre-calibrated valve used primarily to deter the frictional resistance of water and effectively balance the distribution to a constant flow in an industrial hydronic HVAC system with injection or other circuits, requiring double regulating valves for required system balancing.

Correct balancing of a system ensures a constant, yet equally distributed flow throughout the components' terminal lines, distributing lines, and main distributing lines for desired heating and cooling. Balancing a system is also critical in maintaining the required flowrates of the designed system pumps and control valves, as well as reducing the impact of pressure changes in the hydronic HVAC system.

Details

The 2200F is fitted with two pressure test valves to provide flow measurement, regulation and isolation.

The 2200F is available in a Y-pattern globe style for applications that require 2 ½" to 10" size lines.

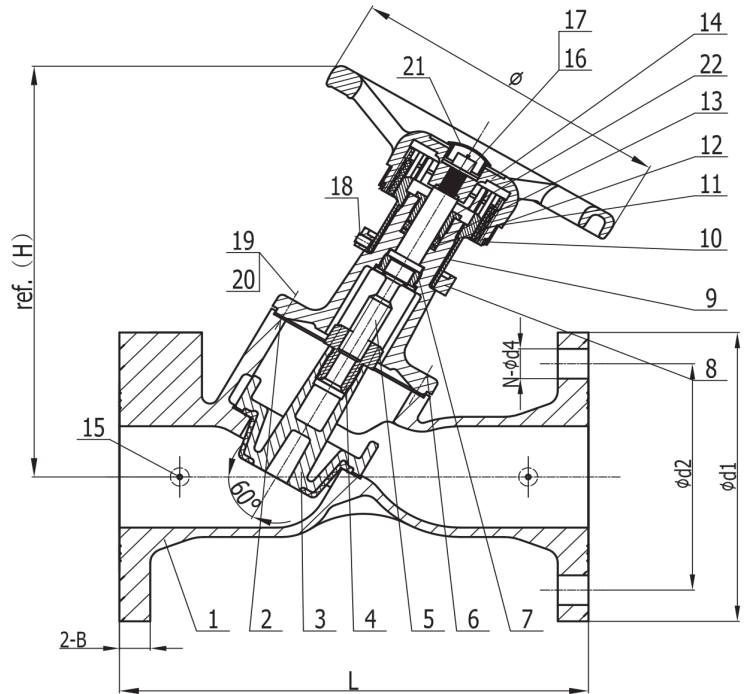
Accuracy of flow measurement is +/- 5.0% at all open positions of the valve and is double regulating to prevent overstress, or excess force, on any point within the hydronic HVAC system.

PROJECT:

SUBMITTED BY:



No.	Part	Material
1	Body	ASTM A536 65-45-12
2	Seal Gasket	EPDM
3	Disc	ASTM A536 65-45-12 +EPDM
4	Stem Nut	ASTM B124 C37700
5	Stem	(DN65-DN300) AISI SS410 (DN350-DN600) AISI SS431
6	Cover	ASTM A536 65-45-12
7	Stem Lock Bushing	ASTM B124 C37700
8	Limit Set of Indicator	ASTM A351 CF8
9	Oriented Set of Indicator	ASTM B124 C37700
10	Directed Circle	ABS
11	Indicator	ABS
12	Packing	EPDM
13	Packing	PTFE
14	Hand Wheel	ASTM A536 65-45-12
15	Plug	Steel
16	Bolt	AISI SS304
17	Big Gasket	AISI SS304
18	Hexagon Socket Screws	AISI SS304
19	Bolt	AISI SS304
20	Spring Gasket	AISI SS304
21	Indicator Dust Cover	ABS
22	Packing Gland	ASTM B124 C37700 (DN65-DN150) ASTM A536 65-45-12 (DN200-DN600)



Size	H	L	B	Ø	Ød1	Ød2	N-Ød4	Cv	Head Loss K
2 1/2"	10.43"	11.42"	0.69"	7.87"	7.01"	5.50"	4-Ø 0.75"	96.90	3.78
3"	10.63"	12.20"	0.75"	7.87"	7.52"	6.00"	4-Ø 0.75"	138.10	5.24
4"	12.20"	13.78"	0.94"	9.45"	9.02"	7.50"	4-Ø 0.75"	206.60	9.53
6"	13.39"	18.90"	1.0"	11.42"	10.98"	9.50"	8-Ø 0.87"	439.30	5.35
8"	21.14"	23.62"	1.13"	13.78"	13.50"	11.75"	8-Ø 0.87"	702.80	6.26
10"	22.44"	28.74"	1.19"	16.54"	15.98"	14.28"	12-Ø 1.0"	1496.60	5.57

Sample Specification

Balancing valves shall be American Valve Model 2200F in sizes indicated on the plans. Valves shall be ductile iron construction with Class 125 ANSI flanged connections suitable for up to 200 psi pressure and include two pressure test valves for measurement, regulation and isolation. Valves are engineered for proportional balancing setting prior to system start-up as indicated in pre-set balancing schedules.

