

# 3R SPEC SHEET

## LEAD-FREE GATE VALVE - 125 CLASS

### WITH FIP THREADED ENDS

Complies with Lead-Free Plumbing Laws  
 Double O-Ring Stem Seal for Pump and Underground Service  
 200 WOG  
 125 WSP

Recommended for cold water, oil or gas. Specifically manufactured for pumping systems and installations where maintaining a line vacuum is essential.

NPT Threaded Ends comply with ANSI B1.20.1

Non-Rising Stem

Solid wedge disc

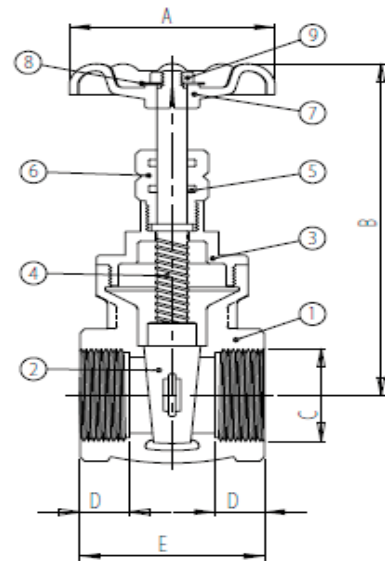
Dimensions and Workmanship conforms to MSS SP-80

Designed in accordance with the requirements of state and federal lead-free plumbing laws



### MATERIALS

NO.	PART	MATERIAL	QTY
1	Body	Lead-Free Brass	1
2	Disc	Lead-Free Brass	1
3	Bonnet	Lead-Free Brass	1
4	Stem	Lead-Free Brass	1
5	O-Ring	Buna-N	1
6	Stuffing Box	Lead-Free Brass	1
7	Hand Wheel	Cast Iron	1
8	Name Plate	Aluminum	1
9	Handle Nut	Steel	1



### SIZES

DIMENSIONS								
	1/2"	3/4"	1"	1 1/4"	1 1/2"	2"	2 1/2"	3"
<b>A</b>	2.11	2.42	2.70	2.89	3.41	4.04	4.57	4.96
<b>B</b>	3.63	4.13	5.00	5.50	6.00	7.27	9.50	10.00
<b>C</b>	NPT 1/2"	NPT 3/4"	NPT 1"	NPT 1 1/4"	NPT 1 1/2"	NPT 2"	NPT 2 1/2"	NPT 3"
<b>D</b>	0.47	0.57	0.61	0.71	0.77	0.87	0.98	1.22
<b>E</b>	1.81	2.01	2.20	2.64	2.87	3.23	4.02	4.59
Weight (lbs.)	0.80	1.20	1.75	2.35	3.15	4.90	9.90	14.10



DATE: