

3S SPEC SHEET

LEAD-FREE GATE VALVE - 125 CLASS

WITH SOLDER ENDS

Complies with Lead-Free Plumbing Laws

200 WOG

125 WSP

Maximum temperature: 350°F

Solder Ends comply with ANSI B16.18

Non-Rising Stem

PTFE Packing

Dimensions and Workmanship conforms to MSS SP-80

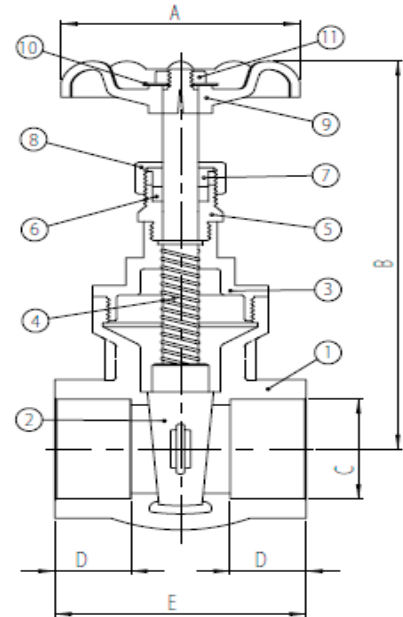
Designed in accordance with the requirements of state

and federal lead-free plumbing laws



MATERIALS

NO.	PART	MATERIAL	QTY
1	Body	Lead-Free Brass	1
2	Disc	Lead-Free Brass	1
3	Bonnet	Lead-Free Brass	1
4	Stem	Lead-Free Brass	1
5	Stuffing Box	Lead-Free Brass	1
6	Packing	PTFE	1
7	Packing Gland	Brass	1
8	Packing Nut	Brass	1
9	Hand Wheel	Cast Iron	1
10	Name Plate	Aluminum	1
11	Handle Nut	Steel	1



SIZES

DIMENSIONS									
	1/4"	3/4"	1"	1 1/4"	1 1/2"	2"	2 1/2"	3"	4"
A	2.11	2.42	2.70	2.89	3.41	4.04	4.57	4.96	6.06
B	3.75	4.13	5.00	5.50	6.00	7.25	9.50	10.00	10.75
C	0.63	0.88	1.13	1.38	1.63	2.13	2.63	3.13	4.13
D	0.47	0.57	0.79	0.79	0.79	1.10	1.34	1.42	2.20
E	1.81	2.09	2.68	2.87	2.99	3.70	4.92	5.24	6.89
Weight (lbs.)	0.75	1.15	1.60	2.15	2.80	4.90	9.10	12.35	21.95



DATE: