

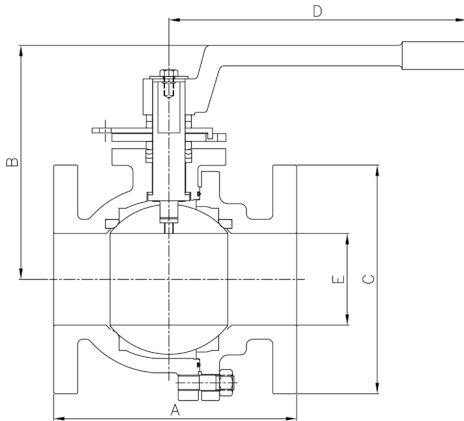


CAST IRON FLANGED END BALL VALVE



AMERICANVALVE.COM

The 4000 Series Flanged Ball Valve replaces any traditional gate valve or eccentric plug valve. Featuring a corrosion-resistant PFA* fused solid iron ball, the 4000 is more durable, less susceptible to accumulation of buildup, and longer-lasting than an ordinary unprotected ball.



SPECIFICATIONS

- A126 Class B Cast Iron Body
- PFA* Fused Solid Ball
- Blow-out Proof Stainless Steel Stem
- Reinforced PTFE Seats
- Face to Face and Flanged Dimensions conform to ANSI Standard B16.10 which exactly match end to end dimensions of all cast iron gate valves and plug valves
- Lockable in Full Open or Closed Positions
- ISO Mounting Pad for Easy Actuation
- Adjustable Length/Removable Handles to fit into areas of limited space
- Full Port through 6"
- Certified to meet the requirements of:
NSF/ANSI 61 and NSF/ANSI 372
MSS SP-72
ANSI B16.10
FED. SPEC. WW-V-35
AWWA C507-99 (Proof of Design)

RATING

- 125 psi WSP
- 200 psi WOG
- 353° F
- This Cast Iron Ball Valve has been engineered to replace any IBBM Gate Valve, All Iron Gate Valve, or Plug Valve.

*PFA is an ingredient commonly branded as Teflon®.

DIMENSIONS	1/2"	3/4"	1"	1-1/2"	2"	2-1/2"	3"	4"	6"	8"	10"
A Face to Face	4.25"	4.625"	5"	6.5"	7"	7.5"	8"	9"	10.5"	11.5"	13"
B Center of Port to Top	4.25"	4.25"	4.75"	6"	6.5"	7.5"	8.25"	9"	12"	12.25"	13.5"
C Flange Diameter	3.5"	3.875"	4.25"	5"	6"	7"	7.5"	9"	11"	13.5"	16"
D Center of Valve to Handle End	11.875"	11.875"	11.875"	12.25"	12.5"	14"	14"	16"	30.5"	30.5"	33.625"
E Port Diameter	0.5"	0.75"	1"	1.5"	2"	2.5"	3"	4"	6"	6"	7.875"
Bolt Holes	4	4	4	4	4	4	4	8	8	8	12
Weight lbs.	6	7	10	17	24	43	50	77	149	190	309
CV	26	50	100	260	500	750	1245	2500	5470	4150	6700
Mounting Pad				F07	F07	F10	F10	F10	F12	F12	F12
Pallet Quantity	N/A	N/A	N/A	N/A	60	24	24	18	12	12	8

LIST PRICE	1/2"	3/4"	1"	1-1/2"	2"	2-1/2"	3"	4"	6"	8"	10"
4000	\$135.24	\$156.24	\$177.26	\$271.79	\$341.37	\$350.56	\$397.84	\$572.46	\$940.09	\$1567.70	\$2794.02

AMERICAN VALVE

4321 PIEDMONT PARKWAY, GREENSBORO, NC 27410
PHONE: 800-645-0101 • EMAIL: SALES@AMERICANVALVE.COM

AV_4000 SERIES SELLSHEET_V1_0119