

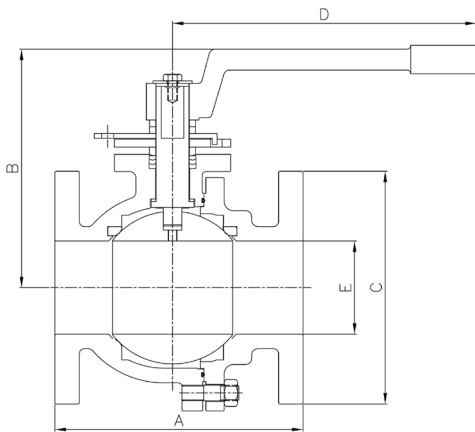


DUCTILE IRON FLANGED END BALL VALVE



AMERICANVALVE.COM

The 4000 Series Flanged Ball Valve replaces any traditional gate valve or eccentric plug valve. Featuring a corrosion-resistant PFA* fused solid iron ball, the 4000 is more durable, less susceptible to accumulation of buildup, and longer-lasting than an ordinary unprotected ball.



SPECIFICATIONS

- PFA* Fused Solid Stainless Steel Ball
- Blow-out Proof Stainless Steel Stem
- Reinforced PTFE Seats
- Face to Face and Flanged Dimensions conform to ANSI Standard B16.10 which exactly match end to end dimensions of carbon steel ball valves, ductile iron gate valves, and plug valves
- Lockable in Full Open or Closed Positions
- ISO Mounting Pad for Easy Actuation
- Adjustable Length/Removable Handles to fit into areas of limited space
- Full Port through 6"
- Certified to meet the requirements of:
NSF/ANSI 61 and NSF/ANSI 372
MSS SP-72
ANSI B16.5 Raised Face
FED. SPEC. WW-V-35
AWWA C507-99 (Proof of Design)

RATING

- 150 psi WSP
- 300 psi WOG
- 366° F
- This Ductile Iron Ball Valve has been engineered to replace any plug valve, carbon steel ball valve, or gate valve.

*PFA is an ingredient commonly branded as Teflon®.

DIMENSIONS	2"	2-1/2"	3"	4"	6"	8"	10"
A Face to Face	7"	7.5"	8"	9"	10.5"	11.5"	13"
B Center of Port to Top	6.5"	7.5"	8.25"	9"	12"	12.25"	13.5"
C Flange Diameter	6"	7"	7.5"	9"	11"	13.5"	16"
D Center of Valve to Handle End	12.5"	14"	14"	16"	30.5"	30.5"	33.625"
E Port Diameter	2"	2.5"	3"	4"	6"	6"	7.875"
Bolt Holes	4	4	4	8	8	8	12
Weight lbs.	24	43	50	77	149	190	309
CV	500	750	1245	2500	5470	4150	6700
Mounting Pad	F07	F10	F10	F10	F12	F12	F12
Pallet Quantity	60	24	24	18	12	12	8

LIST PRICE	2"	2-1/2"	3"	4"	6"	8"	10"
4000D	\$504.18	\$539.18	\$630.23	\$948.73	\$1704.24	\$2515.67	\$4692.59

AMERICAN VALVE

4321 PIEDMONT PARKWAY, GREENSBORO, NC 27410
PHONE: 800-645-0101 • EMAIL: SALES@AMERICANVALVE.COM

AV_4000D SERIES SELLSHEET_V1_0119