

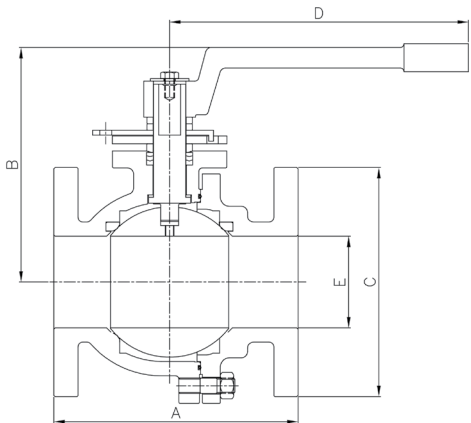
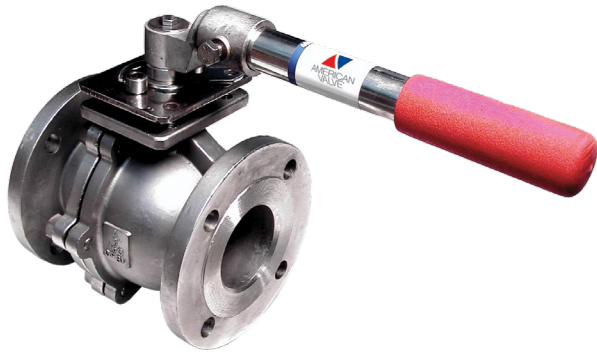


STAINLESS STEEL FLANGED END BALL VALVE



AMERICANVALVE.COM

The 4000 Series Flanged Ball Valve replaces any traditional gate valve or eccentric plug valve. Featuring a corrosion-resistant PFA* fused solid iron ball, the 4000 is more durable, less susceptible to accumulation of buildup, and longer-lasting than an ordinary unprotected ball.



SPECIFICATIONS

- Cast 316 Stainless Steel (CF8M)
- PFA* Fused Solid Stainless Steel Ball
- Blow-out Proof Stainless Steel Stem
- Reinforced PTFE Seats
- Full Opening for Unrestricted Flow
- Lockable in Full Open or Closed Positions
- API 607 Fire Safe Design
- Mounting Pad for Easy Actuation
- Adjustable Length/Removable Handles to fit into areas of limited space
- Certified to meet the requirements of NSF/ANSI 61 and NSF/ANSI 372 MSS SP-72

RATING

- 150 psi WSP
- 300 psi WOG
- 366° F
- This Stainless Steel Ball Valve with PFA* fused ball has been engineered to more effectively resist corrosion and prolong valve life.

*PFA is an ingredient commonly branded as Teflon®.

DIMENSIONS	1-1/2"	2"	2-1/2"	3"	4"	6"
A Face to Face	6.5"	7"	7.5"	8"	9"	10.5"
B Center of Port to Top	6"	6.5"	7.5"	8.25"	9"	12"
C Flange Diameter	5"	6"	7"	7.5"	9"	11"
D Center of Valve to Handle End	12.25"	12.25"	14"	14"	16"	30.5"
E Port Diameter	1.5"	2"	2.5"	3"	4"	6"
Bolt Holes	4	4	4	4	8	8
Weight lbs.	16	22	38	49	73	145
CV	260	500	750	1245	2500	5470
Mounting Pad	F07	F07	F10	F10	F10	F12
Pallet Quantity	N/A	60	24	24	18	12

LIST PRICE	1-1/2"	2"	2-1/2"	3"	4"	6"
4001	\$753.64	\$932	\$1055.73	\$1277.48	\$1841.5	\$3575.33

AMERICAN VALVE

4321 PIEDMONT PARKWAY, GREENSBORO, NC 27410
PHONE: 800-645-0101 • EMAIL: SALES@AMERICANVALVE.COM

AV_4001 SERIES SELLSHEET_V1_0119