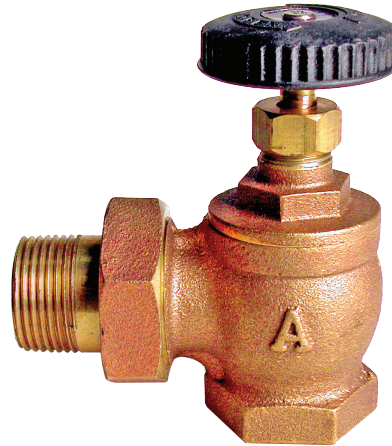
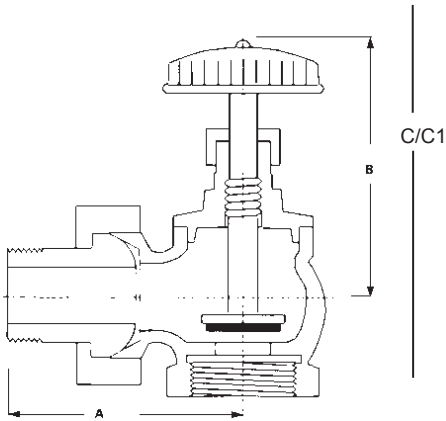


Heating Valves

9D

Steam Radiator Angle Valve

- Rising Stem
- Renewable Packing
- Composition Disc
- Composition Wheel
- 150 WSP



DIMENSIONS:

		1/2	3/4	1	1 1/4	1 1/2	2
A	Center of Inlet to Face	2 5/16	2 9/16	3	3 5/8	3 3/4	4 1/2
B	Center of Port to Top (open)	3 9/16	3 3/16	3 3/8	3 1/2	3 3/4	4 7/8
C	Total Height Closed	3 7/8	3 7/8	4 1/8	4 9/16	4 3/4	5 7/8
C1	Total Height Open	4 1/2	4 1/4	4 3/4	5 1/4	5 3/8	7 1/16
	Weight lbs.	.86	1.24	1.78	2.48	3.08	4.86



DATE: