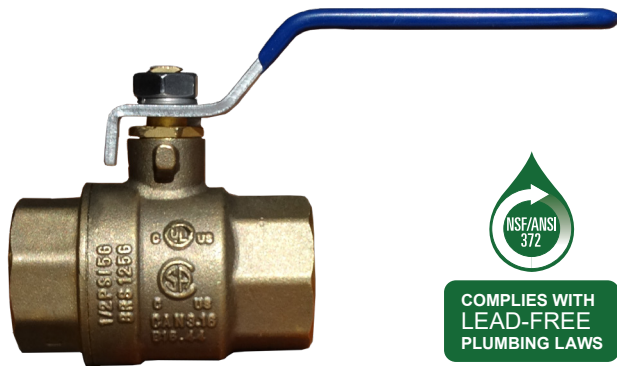


G101 | Full Port Lead Free Ball Valve

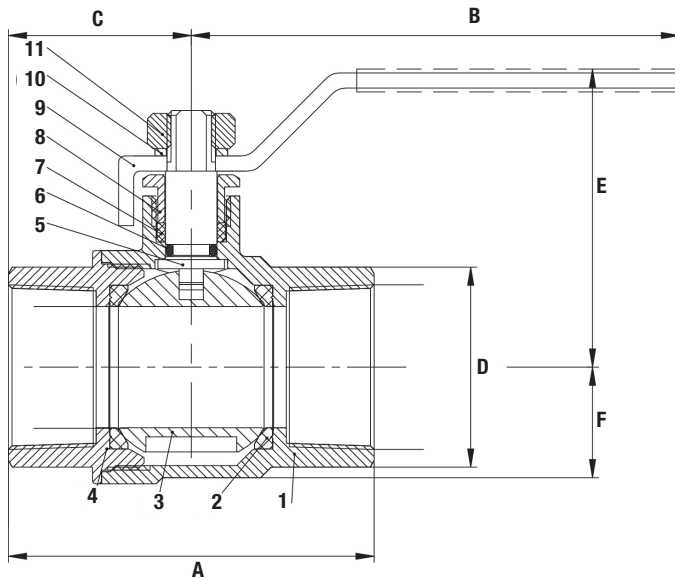
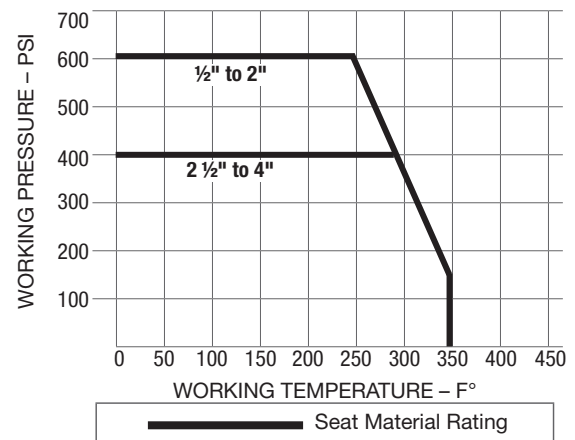


Features & Benefits:

- 2-Piece Forged Brass body
- Blow-out proof stem
- Stainless Steel Ball
- Connection: Female NPT X Female NPT
- Adjustable packing
- Certifications:
Massachusetts Plumbing Board Certified
(1/4"-2"): UL VQGU & VQGU7, IAPMO/ANSI Z1157, FM Approved, CSA-ANSI Z21.15/CSA 9.1 CR91-200, ASME B16.44 ASME B16.33, CSA 3.16, NSF/ANSI 372, IAPMO/ANSI Z1157
(2 1/2"-4"): NSF/ANSI 372, IAPMO/ANSI Z1157



PRESSURE - TEMPERATURE CHART



MATERIALS

NUMBER	PART	QUANTITY	ASTM SPEC
1	Body	1	C45600
2	Seat	2	PTFE
3	Ball	1	SS304
4	Bonnet	1	C46500
5	Stem	1	C37700
6	O-Ring	1	FPM
7	Packing	1	PTFE
8	Gland Nut	1	C37700
9	Handle	1	Steel
10	Washer	1	3Cr13
11	Lock Nut	1	SS304

SIZES	1/4"	3/8"	1/2"	3/4"	1"	1 1/4"	1 1/2"	2"	2 1/2"	3"	4"
A	1.69	1.69	2.09	3.29	2.93	3.29	3.63	4.17	5.33	6.01	7.23
B	3.17	3.17	3.17	4.12	1.5	4.12	5.87	5.88	9.45	9.45	9.45
C	0.85	0.85	1.04	1.67	4.16	1.67	1.81	2.07	2.67	3.0	3.0
D	0.39	0.39	0.59	1.26	0.98	1.26	1.57	1.97	2.56	2.95	3.9
E	1.5	1.58	1.78	2.57	2.37	2.57	3.02	3.34	4.72	5.12	6.57
F	0.42	0.42	0.56	1.08	0.88	1.08	1.32	1.66	2.02	2.32	2.32