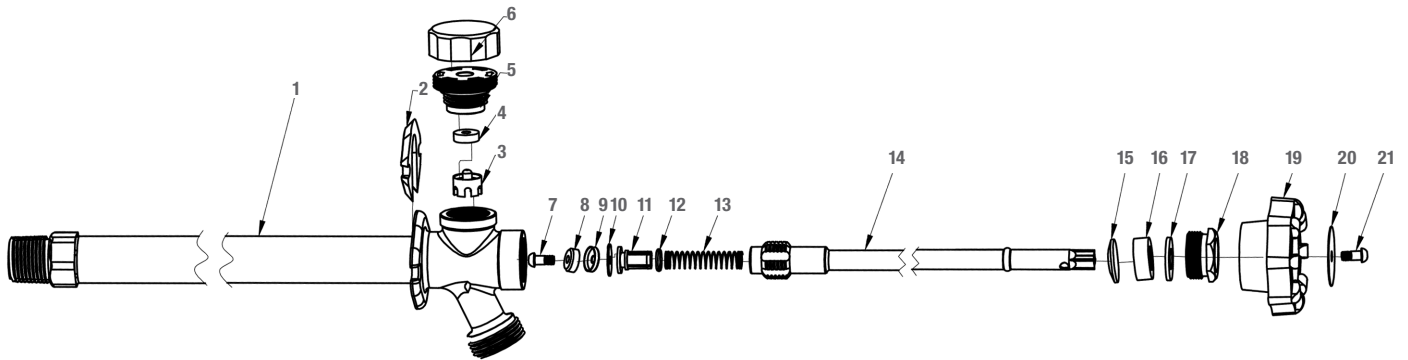


Installation, Operation and Maintenance Instructions



Part	Description
1	Body
2	Siding Wedge
3	Anti Siphon Poppet
4	Anti Siphon Seal
5	Anti Siphon Body
6	Anti Siphon Cap
7	Screw
8	Seat Gasket
9	Seat Gasket Retainer
10	Washer
11	Seat Poppet
12	O-Ring
13	Spring
14	Stem Tube
15	Washer
16	Packing
17	Washer
18	Body Nut
19	Handle
20	Name Plate
21	Screw

Installation – Stem Tube Component

1. Use a screw driver to remove the screw (21) that holds the handle (19) & name plate (20) in place.
2. Using a wrench, turn counter clockwise and remove the body nut (18). Retain the body nut.
3. Using the handle to turn the stem counter-clockwise until the stem tube is removed.
- ⚠ **CAUTION:** Ensure the stem is turning not twisting the stem. Twisting the stem can cause it to break.
4. Insert the new stem tube into the body tube. Turn clockwise by hand until stem stops.
5. Re-install the hexagon nut. Hand-tighten, then half-turn with a wrench.
6. Re-install the handle.

Installation – Anti-Siphon Components

1. Remove anti-siphon cap (6) by turning counter-clockwise.
2. Using adjustable pliers and applying a small cloth around the anti-siphon body (5), unscrew the anti-siphon body by turning counter-clockwise.
3. Remove the Anti-siphon poppet (3).
4. Insert new Anti-siphon poppet into new Anti-siphon body. Screw the Anti-siphon body turning clockwise by hand.
5. Insert new anti-siphon cap turning clockwise by hand.
6. Operate the valve from the fully open position to the closed position.
7. Look for leaks. If leaking from body nut, tighten until seal is achieved.

NOTE: Small amounts of water may escape from the anti-siphon cap. This is normal.

Inspection and Maintenance

1. Periodic inspection of the valve is recommended.
2. If the valve develops a leak at the body nut, tighten turning clockwise.