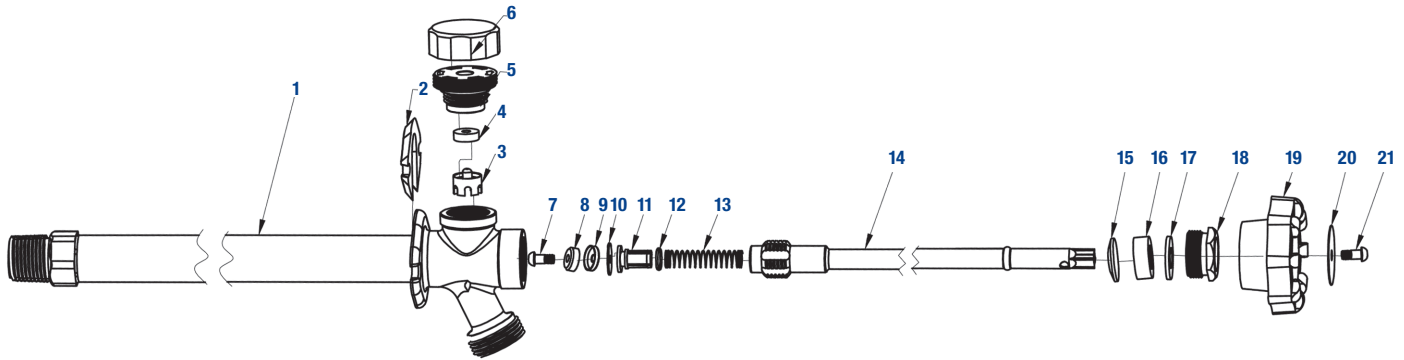


Features & Benefits

- **Connection:** Male NPT/Solder/ PEX X Garden Hose Thread
- **Pressure:** 125 CWP
- **Sizes:** 4", 6", 8", 10", 12", 14"
- **Max. Temperature:** 140° F
- Multi turn handle
- Built in vacuum breaker
- Anti-siphon design
- PEX inlet adapter included
- Angle wedge provided
- Repair parts available (M72AS-HASK)
- **Certifications:** ASSE 1019
- **Compliant to:** Massachusetts Plumbing Board approved

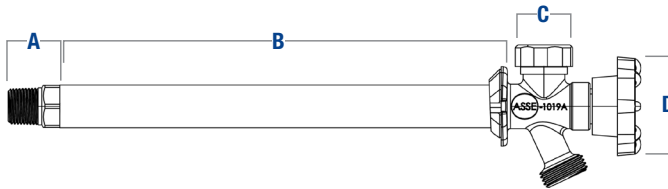


Number	Description
1	Body
2	Siding Wedge
3	Anti Siphon Poppet
4	Anti Siphon Seal
5	Anti Siphon Body
6	Anti Siphon Cap
7	Screw

Number	Description
8	Seat Gasket
9	Seat Gasket Retainer
10	Washer
11	Seat Poppet
12	O-Ring
13	Spring
14	Stem Tube

Number	Description
15	Washer
16	Packing
17	Washer
18	Body Nut
19	Handle
20	Name Plate
21	Screw

Dimensions



Size, Nominal Length	A	B	C	D	Weight Lbs.
4"	1 1/8"	4"	2 1/4"	2 1/4"	.88
6"	1 1/8"	6"	2 1/4"	2 1/4"	1.00
8"	1 1/8"	8"	2 1/4"	2 1/4"	1.10
10"	1 1/8"	10"	2 1/4"	2 1/4"	1.13
12"	1 1/8"	12"	2 1/4"	2 1/4"	1.25
14"	1 1/8"	14"	2 1/4"	2 1/4"	1.28

PROJECT:	SUBMITTED BY:



Scan here for more information about the M72AS Frost-Proof Antisiphon Sillcock