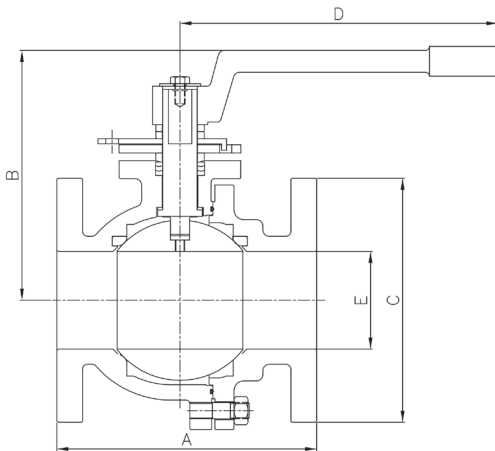


# 4000

## Cast Iron Flanged End Ball Valve



American Valve's patented **4000 Series™** Cast Iron Ball Valve has been engineered to replace any IBBM gate valve, all iron gate valve, or plug valve.



- A126 Class B Cast Iron Body
- PFA\* Fused Solid Ball
- Blow-out Proof Stainless Steel Stem
- Reinforced PTFE Seats
- Face to Face and Flanged Dimensions conform to ANSI Standard B16.10 which exactly match end to end dimensions of all cast iron gate valves and plug valves
- Lockable in Full Open or Closed Positions
- Mounting Pad for Easy Actuation
- Adjustable Length/Removable Handles to fit into areas of limited space
- Full Port through 6"
- Certified to meet the requirements of NSF/ANSI 61 and NSF/ANSI 372

### RATING:

125 psi WSP, 200 psi WOG, 353° F

### SPECIFICATIONS:

MSS SP-72  
ANSI B16.10  
FED. SPEC. WW-V-35  
AWWA C507-99 Proof of Design Test

\*PFA is an ingredient commonly branded as Teflon®.

### DIMENSIONS

	1/2"	3/4"	1"	1 1/2"	2"	2 1/2"	3"	4"	6"	8"	10"
<b>A</b> FACE TO FACE	4.25"	4.625"	5"	6.5"	7"	7.5"	8"	9"	10.5"	11.5"	13"
<b>B</b> CENTER OF PORT TO TOP	4.25"	4.25"	4.75"	6"	6.5"	7.5"	8.25"	9"	12"	12.25"	13.5"
<b>C</b> FLANGE DIAMETER	3.5"	3.875"	4.25"	5"	6"	7"	7.5"	9"	11"	13.5"	16"
<b>D</b> CENTER OF VALVE TO HANDLE END	11.875"	11.875"	11.875"	12.25"	12.5"	14"	14"	16"	30.5"	30.5"	33.625"
<b>E</b> PORT DIAMETER	0.5"	0.75"	1"	1.5"	2"	2.5"	3"	4"	6"	6"	7.875"
BOLT HOLES	4	4	4	4	4	4	4	8	8	8	12
WEIGHT (LBS.)	6	7	10	17	24	43	50	77	149	190	309
CV	26	50	100	260	500	750	1245	2500	5470	4150	6700
PALLET QTY.	N/A	N/A	N/A	N/A	60	24	24	18	12	12	8

### 4000 SERIES LIST PRICE

1/2"	3/4"	1"	1 1/2"	2"	2 1/2"	3"	4"	6"	8"	10"
\$135.24	\$156.24	\$177.26	\$271.79	\$341.37	\$350.56	\$397.84	\$572.46	\$940.09	\$1567.70	\$2794.02

4321 Piedmont Parkway  
Greensboro, NC 27410  
E: sales@americanvalve.com  
P: 1-800-645-0101 F: 1-800-876-0109

Scan here for more information about the 4000 Cast Iron Flanged End Ball Valve

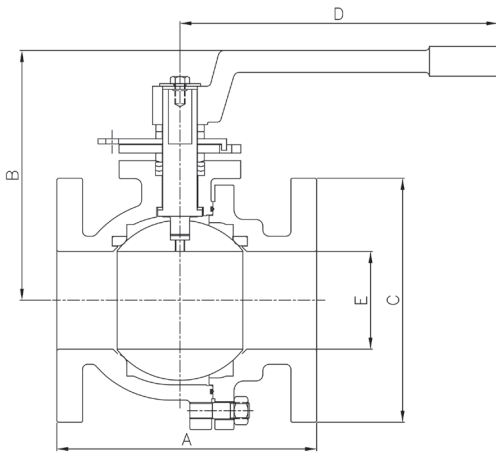


# 4000D

## Ductile Iron Flanged End Ball Valve



American Valve's patented **4000D Series™** Ductile Iron Ball Valve has been engineered to replace any plug, carbon steel ball, or gate valve.



- A536 Grade 65-45-12 Ductile Iron Body
- PFA\* Fused Solid Stainless Steel Ball
- Blow-out Proof Stainless Steel Stem
- Reinforced PTFE Seats
- Face to Face and Flanged Dimensions conform to ANSI Standard B16.10 which exactly match end to end dimensions of carbon steel ball valves, ductile iron gate valves, and plug valves
- Lockable in Full Open or Closed Positions
- Mounting Pad for Easy Actuation
- Adjustable Length/Removable Handles to fit into areas of limited space
- Full Port through 6"
- Certified to meet the requirements of NSF/ANSI 61 and NSF/ANSI 372

### RATING:

150 psi WSP, 300 psi WOG, 366° F

### SPECIFICATIONS:

MSS SP-72

ANSI B16.5 Raised Face

FED. SPEC. WW-V-35

AWWA C507-99 Proof of Design Test

\*PFA is an ingredient commonly branded as Teflon®.

### DIMENSIONS

	2"	2 ½"	3"	4"	6"	8"	10"
<b>A</b> FACE TO FACE	7"	7.5"	8"	9"	10.5"	11.5"	13"
<b>B</b> CENTER OF PORT TO TOP	6.5"	7.5"	8.25"	9"	12"	12.25"	13.5"
<b>C</b> FLANGE DIAMETER	6"	7"	7.5"	9"	11"	13.5"	16"
<b>D</b> CENTER OF VALVE TO HANDLE END	12.25"	14"	14"	16"	30.5"	30.5"	33.625"
<b>E</b> PORT DIAMETER	2"	2.5"	3"	4"	6"	6"	7.875"
BOLT HOLES	4	4	4	8	8	8	12
WEIGHT (LBS.)	25	42	55	78	149	194	318
CV	500	750	1245	2500	5470	4150	6700
PALLET QTY.	60	24	24	18	12	12	8

### 4000D SERIES LIST PRICE

	2"	2 ½"	3"	4"	6"	8"	10"
	\$504.18	\$539.18	\$630.23	\$948.73	\$1704.24	\$2515.67	\$4692.59

4321 Piedmont Parkway  
Greensboro, NC 27410  
E: sales@americanvalve.com  
P: 1-800-645-0101 F: 1-800-876-0109

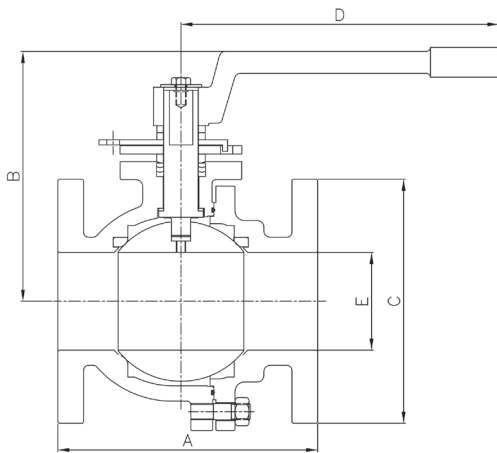
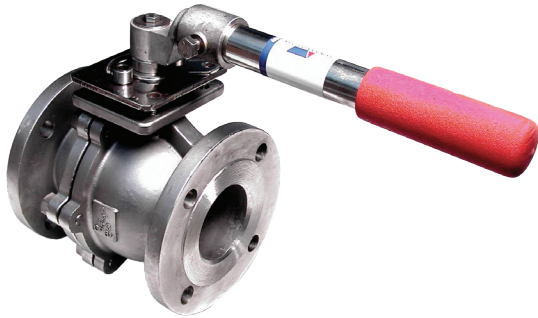
Scan here for more information about the 4000D Ductile Iron Flanged End Ball Valve



# 4001 | Stainless Steel Flanged End Ball Valve



American Valve's patented **4001 Series™** Stainless Steel Ball Valve with PFA\* fused ball has been engineered to more effectively resist corrosion and prolong valve life.



- Cast 316 Stainless Steel (CF8M)
- PFA\* Fused Solid Stainless Steel Ball
- Blow-out Proof Stainless Steel Stem
- Reinforced PTFE Seats
- Full Opening for Unrestricted Flow
- Lockable in Full Open or Closed Positions
- API 607 Fire Safe Design
- Mounting Pad for Easy Actuation
- Adjustable Length/Removable Handles to fit into areas of limited space
- Certified to meet the requirements of NSF/ANSI 61 and NSF/ANSI 372

**RATING:**

150 psi WSP, 300 psi WOG, 366° F

**SPECIFICATIONS:**

MSS SP-72  
ANSI B16.5 Raised Face  
FED. SPEC. WW-V-35  
AWWA C507-99 Proof of Design Test

\*PFA is an ingredient commonly branded as Teflon®.

**DIMENSIONS**

	1 ½"	2"	2 ½"	3"	4"	6"
<b>A</b> FACE TO FACE	6.5"	7"	7.5"	8"	9"	10.5"
<b>B</b> CENTER OF PORT TO TOP	6"	6.5"	7.5"	8.25"	9"	12"
<b>C</b> FLANGE DIAMETER	5"	6"	7"	7.5"	9"	11"
<b>D</b> CENTER OF VALVE TO HANDLE END	12.25"	12.25"	14"	14"	16"	30.5"
<b>E</b> PORT DIAMETER	1.5"	2"	2.5"	3"	4"	6"
BOLT HOLES	4	4	4	4	8	8
WEIGHT (LBS.)	16	22	38	49	73	145
CV	260	500	750	1245	2500	5470
PALLET QTY.	N/A	60	24	24	18	12

**4001 SERIES LIST PRICE**

1 ½"	2"	2 ½"	3"	4"	6"
\$753.64	\$932	\$1055.73	\$1277.48	\$1841.5	\$3575.33

4321 Piedmont Parkway  
Greensboro, NC 27410  
E: sales@americanvalve.com  
P: 1-800-645-0101 F: 1-800-876-0109

Scan here for more information about the 4001 Stainless Steel Flanged End Ball Valve

