

3700

Cast Iron Flanged Ball Valve



American Valve's **3700 Series™** provides the best alternative to gate valves, exactly matching their end-to-end and flanged dimensions. **3700 Series™** valves also provide superior performance to butterfly and plug valves.

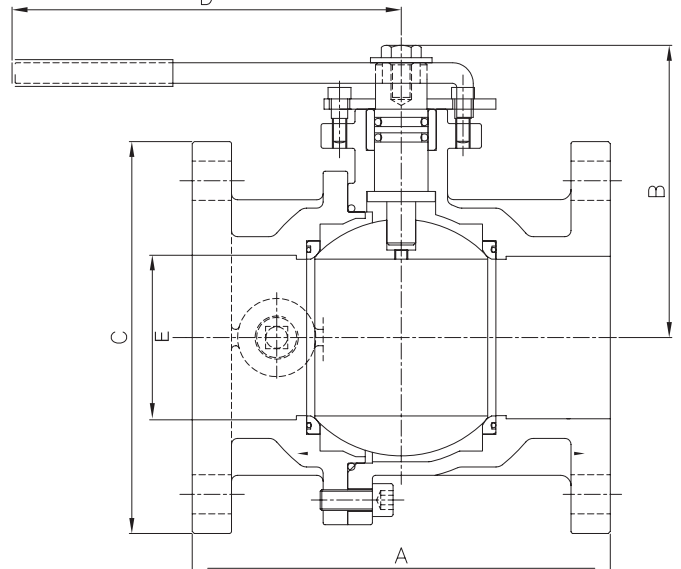


- Certified to meet the requirements of NSF/ANSI 61 and NSF/ANSI 372
- PFA*- Fused Solid Ball
- Same end-to-end as any flanged gate or plug valve
- Tapped & plugged boss allows for venting downstream, or test port for backflow preventer
- 2" through 8" – Full Port
- Rated 200W @ 200°F
- Class VI Positive Shutoff
- 100% Lead-Free
- Low Torque
- Ideal for Liquid, Air, and Backflow applications
- Blowout Proof Stem
- Meets all State and Federal Lead-Free Laws

*PFA is an ingredient commonly branded as Teflon®.

DIMENSIONS:

	2	2½	3	4	6	8
A FACE TO FACE	7"	7.5"	8"	9"	10.5"	11.5"
B CENTER OF PORT TO TOP	5.5"	5.22"	5.59"	6.34"	8.31"	9.76"
C FLANGE DIAMETER	6"	7"	7.5"	9"	11"	13.5"
D CENTER OF VALVE TO HANDLE END	12"	10.2"	10.9"	12.6"	16.7"	19.7"
E PORT DIAMETER	2"	2.5"	3"	4"	6"	8"
BOLT HOLES	4	4	4	8	8	8
WEIGHT (LBS.)	25	30	38	62	118	199
PALLET QTY.	60	60	48	24	12	8



3700 SERIES LIST PRICE

2"	2 1/2"	3"	4"	6"	8"
\$272.66	\$284.80	\$317.20	\$452.118	\$742.39	1322.79

4321 Piedmont Parkway
Greensboro, NC 27410
E: sales@americanvalve.com
P: 1-800-645-0101 F: 1-800-876-0109

Scan here for more information about the 3700 Cast Iron Flanged Ball Valve

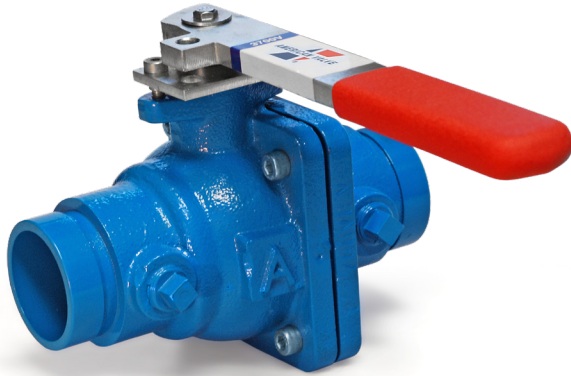


3700V

Cast Iron Flanged Ball Valve



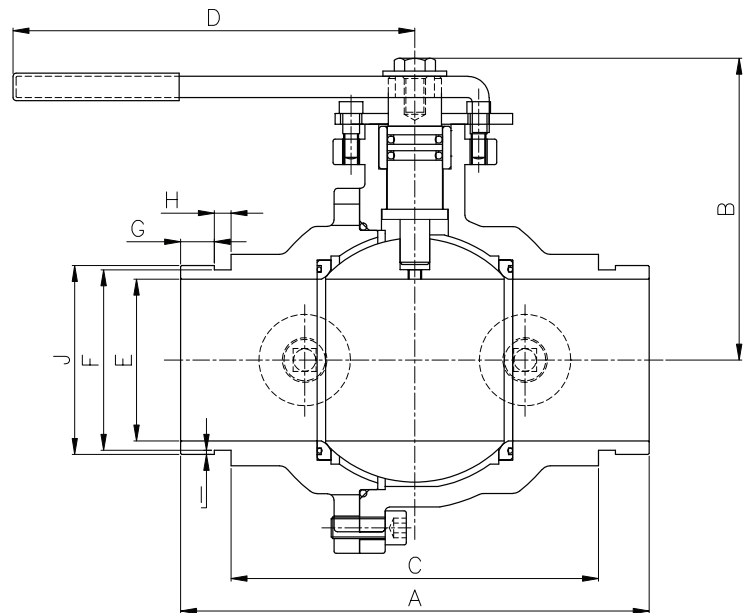
American Valve's **3700 Series™** provides the best alternative to gate valves, exactly matching their end-to-end and flanged dimensions. **3700 Series™** valves also provide superior performance to butterfly and plug valves.



- Certified to meet the requirements of NSF/ANSI 61 and NSF/ANSI 372
- PFA*- Fused Solid Ball
- Double tapped & plugged bosses allow for venting or draining downstream, or test port for backflow preventer
- Full Port in All Sizes
- Rated 200W @ 200°F
- Class VI Positive Shutoff
- 100% Lead-Free
- Low Torque
- Ideal for Liquid, Air, and Backflow applications
- Blowout Proof Stem
- Meets all State and Federal Lead-Free Laws

DIMENSIONS:

	2	2½	3	4	6
A FACE TO FACE	7.80"	8.64"	8.68"	9.90"	12.56"
B CENTER OF PORT TO TOP	4.37"	5.31"	5.59"	6.34"	8.31"
C FACE TO FACE	5.80"	6.77"	6.81"	7.90"	10.56"
D CENTER OF VALVE TO HANDLE END	9.29"	9.76"	9.76"	10.67"	16.79"
E PORT DIAMETER	2"	2.50"	3"	4"	6"
F GROOVE DIAMETER	2.24"	2.72"	3.34"	4.33"	6.45"
G GASKET SEAT	0.63"	0.63"	0.63"	0.63"	0.63"
H GROOVE WIDTH	0.31"	0.31"	0.31"	0.37"	0.38"
I GROOVE DEPTH	0.06"	0.08"	0.08"	0.08"	0.09"
J GROOVED END OD	2.37"	2.87"	3.50"	4.5"	6.63"
WEIGHT (LBS.)	12	19	26	45	105



3700V SERIES LIST PRICE

FIG. NO.	DESCRIPTION	2"	2 1/2"	3"	4"	6"	8"
3700V	CAST IRON	\$272.66	\$284.8	\$317.2	\$452.18	\$742.39	N/A
	GROOVED-END						
	WEIGHT PER PIECE	13.5	N/A	26.5	46.5	105	N/A
	PALLET QTY	60	N/A	48	24	12	N/A

4321 Piedmont Parkway
Greensboro, NC 27410
E: sales@americanvalve.com
P: 1-800-645-0101 F: 1-800-876-0109

Scan here for more information about the 3700V Cast Iron Grooved-End Ball Valve



*PFA is an ingredient commonly branded as Teflon®.