

2A Bronze Ball Valve

Body: Bronze

Connection: Female NPT X Female NPT

Sizes: 1/2", 3/4", 1"

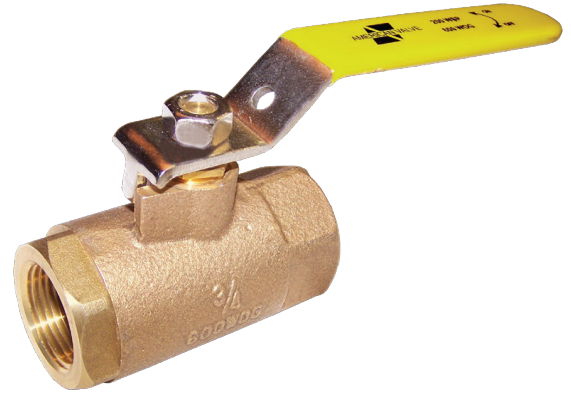
Pressure: 1/2": 400 WOG, 200 WSP

3/4" & 1": 600 WOG 200 WSP

Temperature: 400° F @ 200 PSI

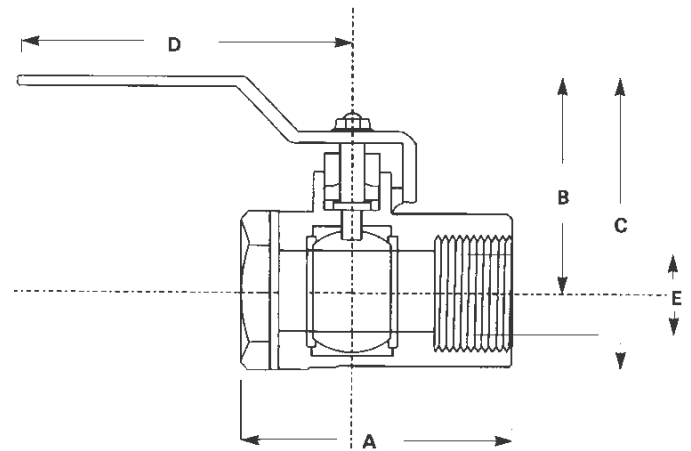
Features:

- Solid Ball
- 2-Piece Body
- Adjustable Packing
- Positive Shut-Off



DIMENSIONS

		1/2	3/4	1
A	End to End	3 ⁷ / ₈	3	4 ⁷ / ₈
B	Center of Port to Top	1 ¹ / ₈	2 ¹ / ₈	1 ¹¹ / ₁₆
C	Overall Height	2 ¹ / ₄	3	3 ³ / ₈
D	Center of Valve to End of Handle	1 ³ / ₄	4 ³ / ₄	2 ¹ / ₄
E	Port Opening	1/2	1 ¹ / ₁₆	7/8
	Weight	.63	1.28	1.72
	Aprox. CV	15	25	40



Part	Material
Handle Nut	Steel
Handle	Steel Zinc-Plated
Stem	ASTM B-16
Packing Nut	ASTM B-16
Packing	PTFE
Retainer	ASTM B-16
Body	Bronze ASTM B-145
Bonnet	Bronze ASTM B-145
Seat	PTFE
Ball	ASTM B-16 Chrome Plated



DATE: