

M71QTSS / M71QT / M76QT

QUARTER-TURN HOSE VALVES

200 CWP | 32°F - 210°F

American Valve quarter-turn hose valves are built using the same trusted design principles as our MILANO™ Ball Valves. Reliable forged construction, double O-ring stem seals, and PTFE seats. The full-port design is free from obstruction and provides double the flow rate offered by standard hose bibbs. The full-size lever handle affords easy operation and visual confirmation of the valve's position and bubble-tight shutoff.



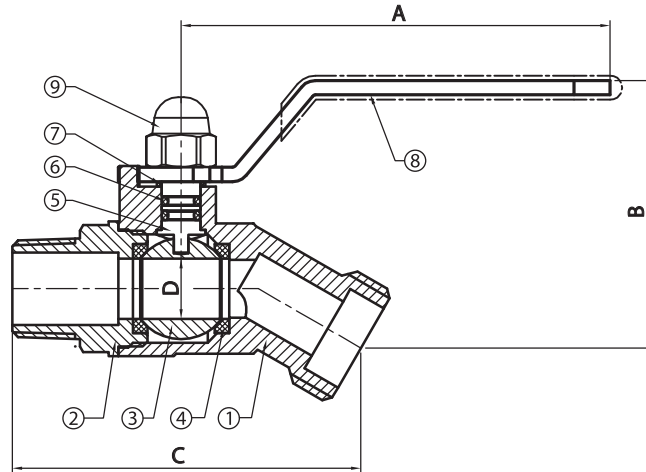
M71QTSS
Complies with
NSF/ANSI/CAN
Standards 61 and 372



M71QT



M76QT



FEATURES

- PTFE Seats
- Full Port
- Extended garden hose threads for secure connection

MATERIAL SPECIFICATIONS

PART	M71QTSS - MATERIAL	M71QT & M76QT - MATERIAL
1 Body	SS304 - AISI 304	Brass - HPb57-3
2 Bonnet	SS304 - AISI 304	Brass - HPb57-3
3 Ball	SS304 - AISI 304	Brass (Cr Plated) - HPb57-3
4 Seats (2)	PTFE - ASTM D3294	PTFE - ASTM D3294
5 Stem	SS304 - AISI 304	Brass - HPb57-3
6 Stem O-Rings (2)	EPDM - ASTM D1418	EPDM - ASTM D1418
7 Gasket	PTFE - ASTM D3294	Polyethylene - ASTM D4976
8 Lever Handle	SS304 - ASTM A240	Steel (Dacromet Plated) - ASTM A36
9 Handle Nut	SS304 - ASTM A320	Steel (Dacromet Plated) - ASTM A36

DIMENSIONS IN INCHES

	M71QTSS		M71QT		M76QT	
	1/2"	3/4"	1/2"	3/4"	1/2"	3/4"
A	3.44	3.44	3.50	3.60	3.50	3.50
B	2.11	2.30	2.19	2.19	2.19	2.30
C	2.84	3.14	2.83	3.11	2.47	2.63
D	0.49	0.75	0.49	0.75	0.49	0.75

M71QT & M76QT ONLY

WARNING: This product can expose you to chemicals including lead, which is known to the State of California to cause cancer, and lead to cause birth defects or other reproductive harm. For more information go to www.P65Warnings.ca.gov.

PROJECT:

SUBMITTED BY:



4321 PIEDMONT PARKWAY,
GREENSBORO, NC 27410
PHONE: 800-645-0101
EMAIL: SALES@AMERICANVALVE.COM
WWW.AMERICANVALVE.COM