

G100 SPEC SHEET

LEAD-FREE FULL PORT BALL VALVE

Complies with Lead Free Plumbing Laws

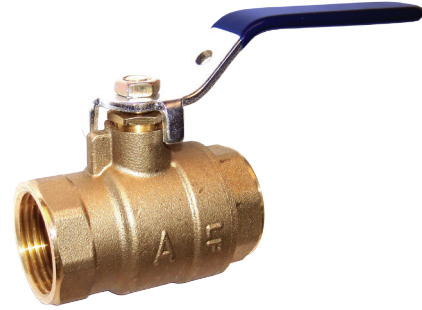
600 WOG 1/4" - 2"

400 WOG 2 1/2" - 4"

Adjustable Packing

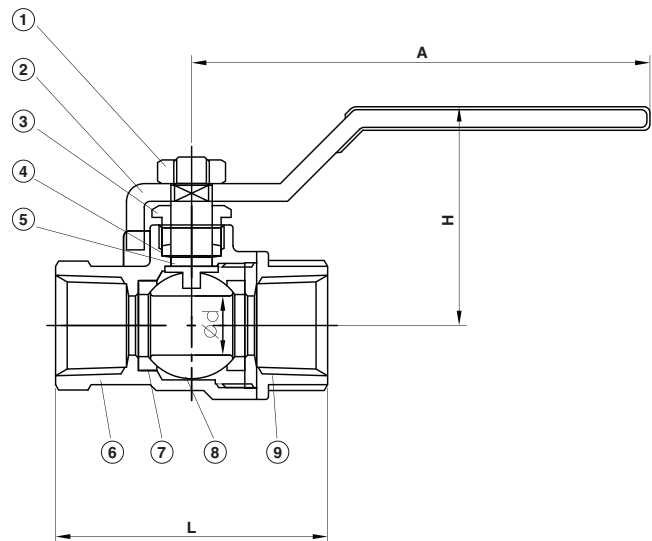
NPT Ends comply with ANSI B 1.20.1

Blow out proof stem design



MATERIALS

| NO. | PART | QUANTITY | MATERIAL |
|-----|--------------|----------|---------------|
| 1 | Handle Nut | 1 | AISI-1010 |
| 2 | Handle | 1 | A283-D |
| 3 | Packing Nut | 1 | B16-C36000 |
| 4 | Stem Packing | 1 | PTFE |
| 5 | Stem | 1 | B16-C36000 |
| 6 | Body | 1 | No Lead Brass |
| 7 | Seat | 2 | PTFE |
| 8 | Ball | 1 | No Lead Brass |
| 9 | Bonnet | 1 | No Lead Brass |



SIZES

| DIMENSIONS | SIZES | | | | | | | | | | | |
|------------|-------|------|------|------|------|--------|--------|------|--------|------|------|--|
| | 1/4" | 3/8" | 1/2" | 3/4" | 1" | 1 1/4" | 1 1/2" | 2" | 2 1/2" | 3" | 4" | |
| A | 3 | 3 | 3 | 4.25 | 4.29 | 5.31 | 5.31 | 6.12 | 9.45 | 9.45 | 9.45 | |
| Ød | 0.39 | 0.39 | 0.47 | 0.73 | 0.94 | 1.26 | 1.5 | 1.97 | 2.5 | 3.03 | 3.94 | |
| H | 1.54 | 1.54 | 1.57 | 4.81 | 2.07 | 2.75 | 3.05 | 3.4 | 4.76 | 5.14 | 5.93 | |
| L | 1.84 | 1.84 | 1.89 | 2.34 | 2.75 | 3.27 | 3.62 | 4.33 | 5.55 | 6.38 | 7.54 | |
| Cv | 7.5 | 7.6 | 14 | 26 | 55 | 110 | 160 | 360 | 460 | 630 | 1150 | |



PROJECT:

SUBMITTED BY: