

G111 SPEC SHEET

PRESS-FIT BALL VALVE

Full Port

Complies with lead-free plumbing laws

Forged brass body: 250 PSI CWP

Blowout-proof stem design with adjustable stem packing

Maximum operating pressure: 200PSI - (Connection rating)

Temperature range: 0°F -250°F

IGC 157

cUPC

NSF61-G

NSF/ANSI 372



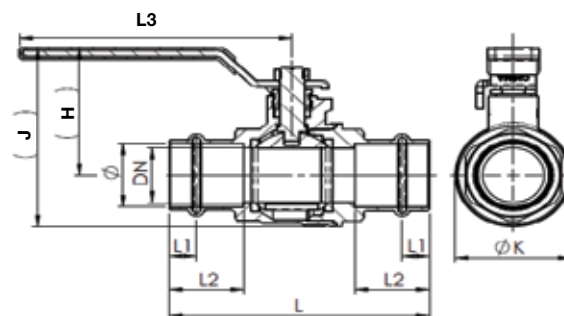
MATERIALS

PART	MATERIAL
Bonnet	Lead-Free Brass
Body	Lead-Free Brass
Ball 1/2" - 1"	Lead-Free Brass
Ball 1 1/4" - 2"	Stainless Steel
Seat	PTFE
Stem 1/2" - 1"	Lead-Free Brass
Stem 1 1/4" - 2"	Brass
Packing	PTFE
Washer	PTFE
Packing Nut	Brass
Handle	Steel
Hex Nut	Steel
O-Ring	EPDM

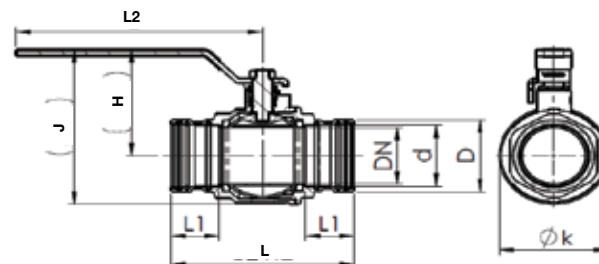
1/2" - 2"

PART	MATERIAL
Bonnet	Lead-Free Brass
Body	Lead-Free Brass
Ball	Stainless Steel
Seat	PTFE
Stem	Brass
Packing	PTFE
Packing Nut	Brass
Handle	Steel
Hex Nut	Steel
O-Ring	EPDM
Compression Ring	Steel

2 1/2" - 4"



1/2" - 2"
Leak Indicator



2 1/2" - 4"
Press Label Indicator

SIZES

1/2" - 2"

DIMENSIONS	1/2" - 2"					
	1/2"	3/4"	1"	1 1/4"	1 1/2"	2"
DN	0.57	0.75	0.98	1.26	1.54	1.97
Ø	0.63	0.89	1.13	1.39	1.63	2.13
L	3.41	3.85	4.13	4.59	5.16	6.00
L1	0.43	0.43	0.43	0.43	0.51	0.63
L2	1.10	1.18	1.18	1.18	1.38	1.57
L3	3.74	3.74	4.33	5.12	5.12	6.34
H	1.66	1.92	2.30	2.73	2.93	3.46
J	2.25	2.66	3.23	3.85	4.29	5.17
K	1.18	1.48	1.85	2.24	2.72	3.41

2 1/2" - 4"

DIMENSIONS	2 1/2" - 4"		
	2 1/2"	3"	4"
DN	2.44	2.91	3.88
d	2.64	3.13	4.14
D	3.11	3.64	4.69
L	7.01	8.15	9.96
L1	1.85	2.17	2.52
L2	9.45	9.45	9.45
H	4.59	4.96	5.91
J	6.67	7.40	9.06
K	4.17	4.88	6.30



PROJECT:

SUBMITTED BY: