

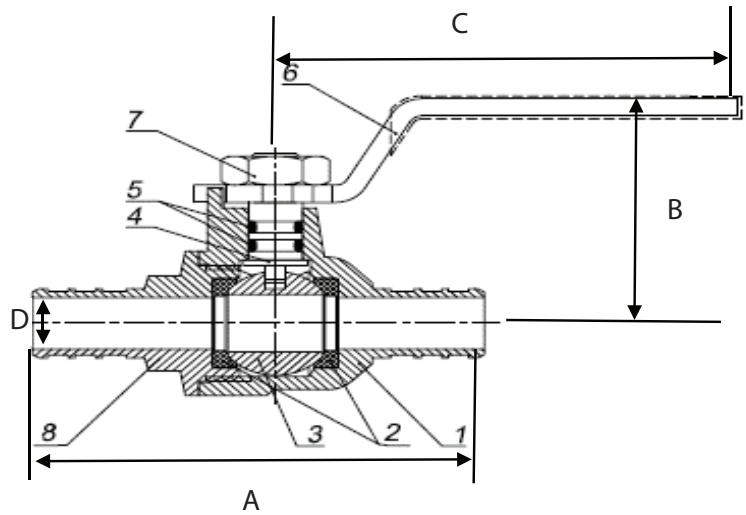
G200BxB SPEC SHEET LEAD-FREE BALL VALVE WITH PEX ENDS

Complies with Lead-Free Plumbing Laws
400 WOG



MATERIALS

PART	MATERIALS	QTY	
1	Body $\frac{3}{8}$ " - $\frac{3}{4}$ "	Lead-Free Alloy	1
2	Body 1"	Lead-Free Brass	1
3	Seat	PTFE	2
4	Ball	Steel	1
5	Stem	Lead-Free Material	1
6	O-Rings	NBR	1
7	Handle	Steel	1
8	Nut	Steel	1
9	Bonnet $\frac{3}{8}$ " - $\frac{3}{4}$ "	Lead-Free Alloy	1
10	Bonnet 1"	Lead-Free Brass	1



SIZES

DIMENSIONS	DIMENSIONS			
	$\frac{3}{8}$ "	$\frac{1}{2}$ "	$\frac{3}{4}$ "	1"
A	2.52	2.70	2.97	3.33
B	1.37	1.50	1.63	2.23
C	2.87	2.90	1.63	4.74
D	0.24	0.36	0.53	0.72



DATE: