

# G200C SPEC SHEET

## LEAD-FREE BALL VALVE

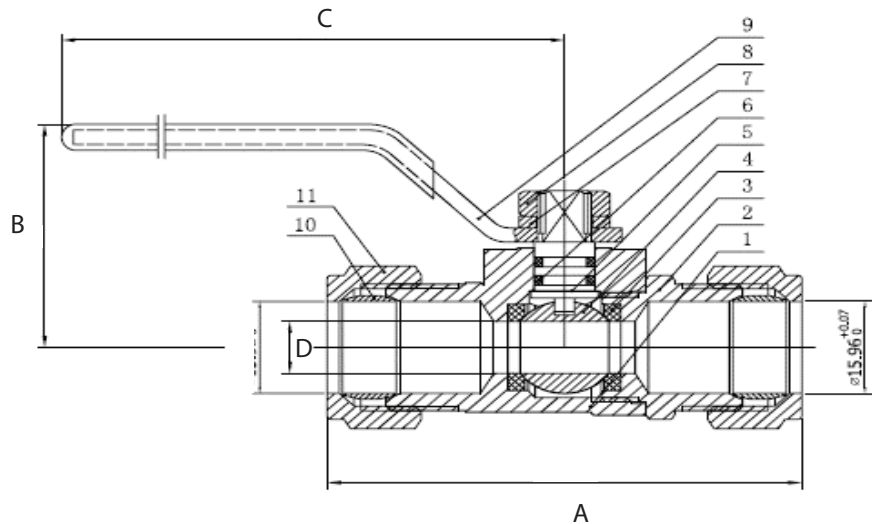
### WITH COMPRESSION ENDS

Complies with Lead-Free Plumbing Laws  
 400 WOG  
 Blowout-Proof Stem Design  
 PTFE Seats  
 NPT Ends comply with ANSI/ASME B 1.20.1



#### MATERIALS

NO.	PART	MATERIALS	QTY
1	Body	Lead-Free Brass	1
2	Bonnet	Lead-Free Brass	1
3	Seats	PTFE	2
4	Ball	Lead-Free Brass	1
5	Stem	Brass	1
6	O-Rings	NBR	1
7	Handle	Steel	1
8	Washer	Stainless Steel	1
9	Handle Nut	Steel	1
10	Compression Ring	Brass	1
11	Compression Nu	Brass	1



#### SIZES

DIMENSIONS	DIMENSIONS		
	1/2"	3/4"	1"
A	2.76	3.39	3.52
B	1.54	1.59	1.99
C	3.37	3.44	4.21
D	0.35	0.57	0.79



DATE: