

G200SW SPEC SHEET

LEAD-FREE BALL VALVE

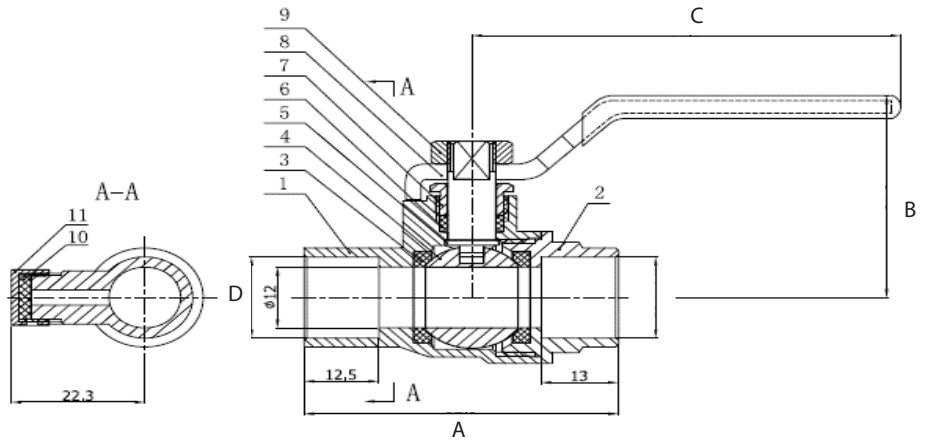
WITH WASTE - SOLDER ENDS

Complies with Lead-Free Plumbing Laws
 600 WOG
 Blowout-Proof Stem Design
 PTFE Seats
 Adjustable PTFE Stem Packing
 NPT Ends comply with ANSI/ASME B 16.18



MATERIALS

NO.	PART	MATERIALS	QTY
1	Body	Lead-Free Brass	1
2	Bonnet	Lead-Free Brass	1
3	Seats	PTFE	2
4	Ball	Stainless Steel	1
5	Stem	Brass	1
6	Stem Packing	PTFE	1
7	Packing Nut	Brass	1
8	Handle	Steel	1
9	Handle Nut	Steel	1
10	Gasket	EPDM	1
11	Waste Cap	Brass	1



SIZES

DIMENSIONS	DIMENSIONS	
	1/2"	3/4"
A	2.07	2.83
B	1.57	1.81
C	3.01	4.25
D	0.47	0.73

DATE:

