

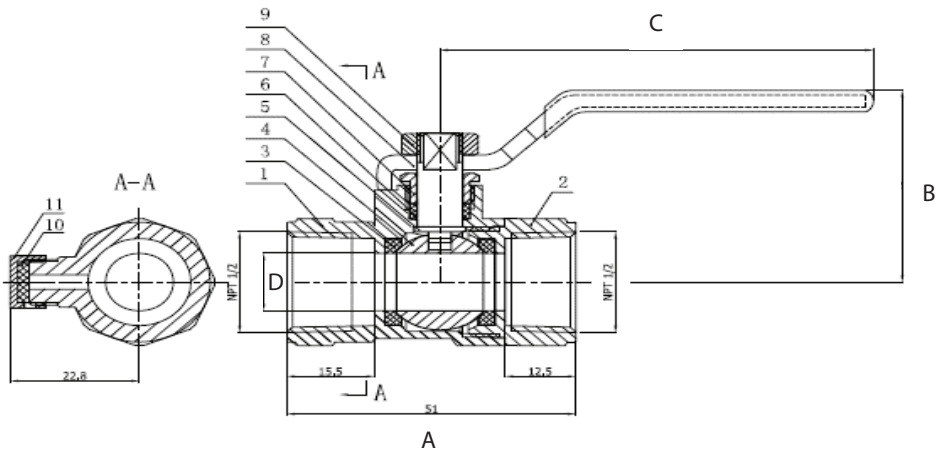
G200W SPEC SHEET LEAD-FREE BALL VALVE WITH THREADED ENDS

Complies with Lead-Free Plumbing Laws
600 WOG
Blowout-Proof Stem Design
PTFE Seats
Adjustable PTFE Stem Packing
NPT Ends comply with ANSI/ASME B 1.20.1



MATERIALS

| NO. | PART | MATERIALS | QTY |
|-----|--------------|-----------------|-----|
| 1 | Body | Lead-Free Brass | 1 |
| 2 | Bonnet | Lead-Free Brass | 1 |
| 3 | Seats | PTFE | 2 |
| 4 | Ball | Stainless Steel | 1 |
| 5 | Stem | Brass | 1 |
| 6 | Stem Packing | PTFE | 1 |
| 7 | Packing Nut | Brass | 1 |
| 8 | Handle | Steel | 1 |
| 9 | Handle Nut | Steel | 1 |
| 10 | Gasket | EPDM | 1 |
| 11 | Waste Cap | Brass | 1 |



SIZES

| DIMENSIONS | DIMENSIONS | |
|------------|------------|------|
| | 1/2" | 3/4" |
| A | 2.01 | 2.44 |
| B | 1.57 | 1.81 |
| C | 3.01 | 4.25 |
| D | 0.47 | 0.73 |

DATE:

