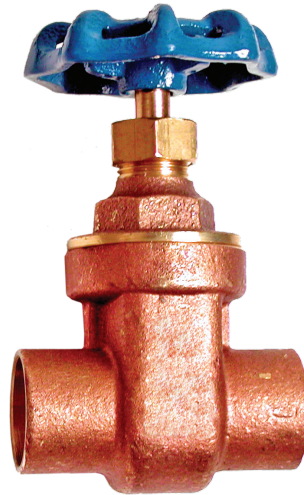
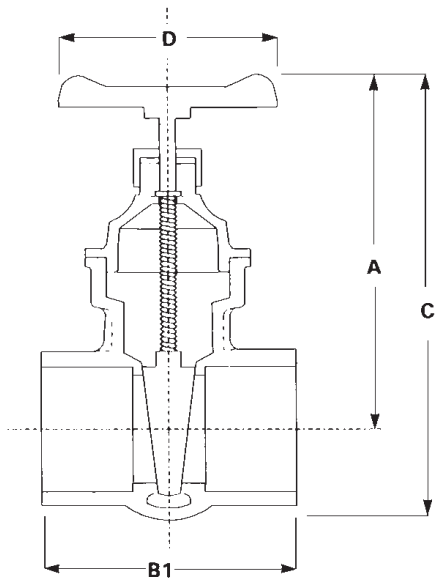


# Gate Valves

## G300S LEAD-FREE

Full Pattern Gate Valve with  
Solder Ends

- Non-rising Stem
- Solid Wedge Disk
- 200 WOG
- Complies with Lead-Free Plumbing Laws



### ***DIMENSIONS:***

		1/2	3/4
<b>A</b>	<b>Center of Port to top</b>	2 3/4	3 1/4
<b>B1</b>	<b>End to End</b>	1 3/4	2 1/4
<b>C</b>	<b>Overall Height</b>	3 1/4	4
<b>D</b>	<b>Wheel Diameter</b>	2 1/8	2 1/8
	<b>Weight lbs.</b>	0.48	0.66



DATE: