

# G31SL SPEC SHEET

## LEAD-FREE IN-LINE

### SPRING CHECK CHECK VALVE

Complies with Lead Free Plumbing Laws

200 WOG

NPT Threads comply with ANSI/ASME B1.20.1

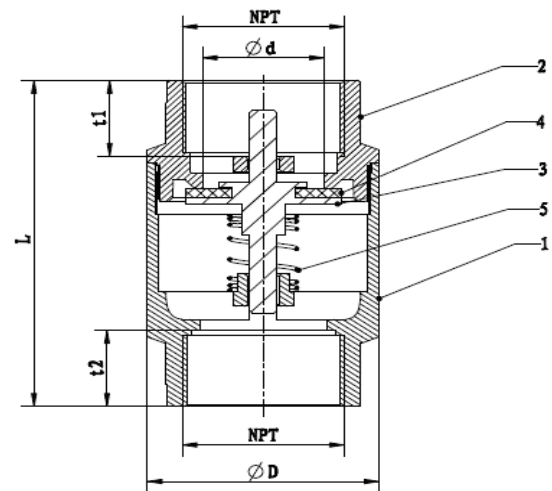
1/2 PSI Cracking Pressure

Can be installed in Vertical or Horizontal Positions



#### MATERIALS

NO.	PART	MATERIAL	QTY
1	Body	Lead-Free Brass	1
2	Bonnet	Lead-Free Brass	1
3	Core	Lead-Free Brass	1
4	Seal	EPDM	1
5	Spring	Stainless Steel	1



#### SIZES

	3/4"	1"	1 1/4"
ØD	1.63	1.87	2.38
Ød	0.87	0.98	1.26
L	2.52	2.95	3.27
t1	0.57	0.69	0.71
t2	0.57	0.69	0.71
Wt	0.58	0.94	1.46



PROJECT:

SUBMITTED BY: