

G60SCSA SPEC SHEET

LEAD-FREE

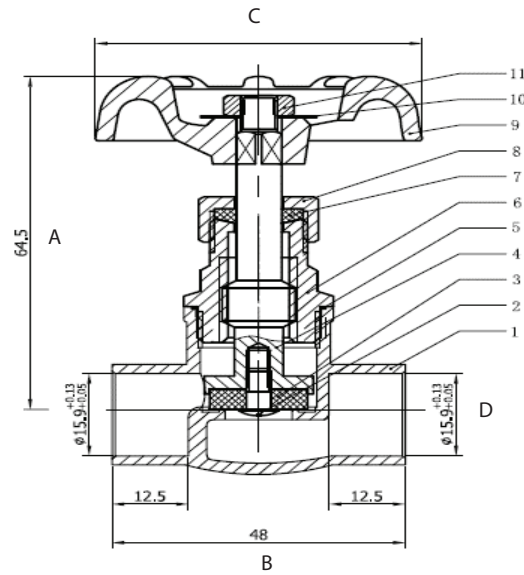
STOP & WASTE VALVE

Solder Ends comply with ANSI/ASME B 1.20.1
Complies with Lead-Free Plumbing Laws



MATERIALS

NO.	PART	MATERIALS	QTY
1	Body	Lead-Free Brass	1
2	Screw	Steel	1
3	Washer	EPDM	1
4	Stem	Lead-Free Brass	1
5	Washer	PTFE	1
6	Bonnet	Lead-Free Brass	1
7	Stem Packing	PTFE	1
8	Packing Nut	Brass	1
9	Hand Wheel	Cast Iron	1
10	Nameplate	Aluminum	1
11	Hand Wheel Nut	Steel	1
12	Waste Cap	Brass	1
13	Gasket	EPDM	1



SIZES

DIMENSIONS	DIMENSIONS	
	1/2"	3/4"
A	2.54	2.54
B	1.89	2.58
C	2.11	2.11
D	0.63	0.88



DATE: