

# M100 SPEC SHEET

## FULL PORT BRASS BALL VALVE

600 WOG 1/4" – 2"; 400 WOG 2 1/2" – 4"

150 psi Saturated Steam

Conforms to MSS SP-110

Blow-out Proof Stem

UL listed for flammable liquid, LG gas shutoff and Sprinkler Systems. (1/4" – 2")

FM approved for Sprinkler Systems (1/2" – 2")

CSA Certified (1/2" – 2")

ANSI Z21.15/CSA 9.1 (1/2 psig)

CGA 3.16 (125 psig)

ASME B16.33 (125 psig)

CGA CR91-002 (5 psig)

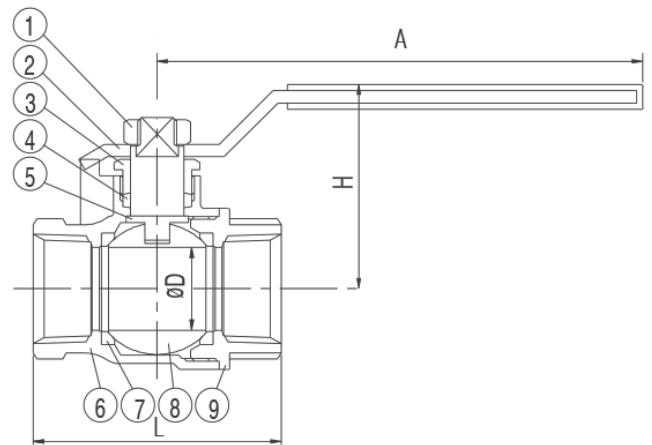
CAN/CGA 9.2

ASME B16.44 (5 psig)



### MATERIALS

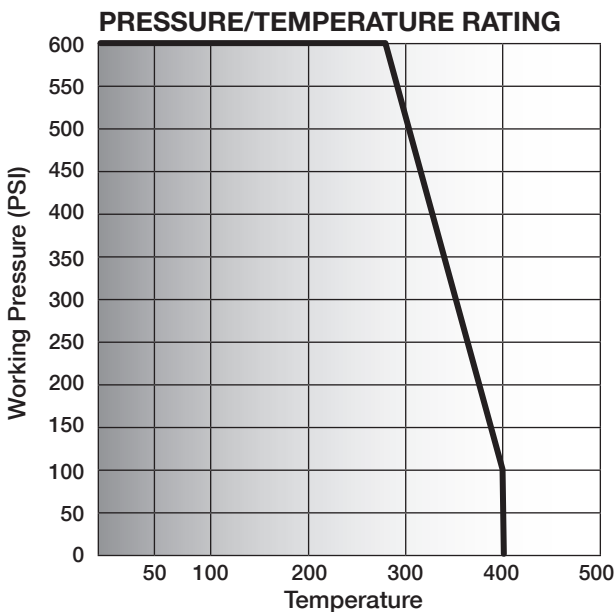
NO	PART	MATERIAL	SPEC.ASTM
1	NUT	STEEL	AISI-1010
2	HANDLE	STEEL	A283-D
3	STEM GLAND SCREW	BRASS	B16-C36000
4	STEM PACKING	PTFE	PTFE
5	STEM	BRASS	B16-C36000
6	BODY	FORGED BRASS	B124-C37700 (1/8"~1 1/2")
		CAST BRASS	B584-C85700 (2"~4")
7	SEAT	PTFE	PTFE
8	BALL	BRASS	B124-C37700 (1/8"~3/4")
		FORGED BRASS	B124-C37700 (1"~4")
9	END PLUG	FORGED BRASS	B124-C37700



### SIZES

NOMINAL SIZE	DIMENSIONS (mm)				
	L	H	D	A	Cv
1/8"	46	37	10	84	
1/4"	46	37	10	84	6.5
3/8"	46	37	10	84	6.5
1/2"	51	39	12.7	84	10
3/4"	60	50	20	118	27
1"	73	54	25	118	48
1 1/4"	84	66	32	134	71
1 1/2"	92	70	38	134	100
2"	110	88	50	200	200
2 1/2"	131	98	63	200	380
3"	150	106	75	200	525
4"	164	106	75	200	

Cv Factor is the gallons of water per minute passed through the valve with a 1 psi pressure drop.



DATE:

