

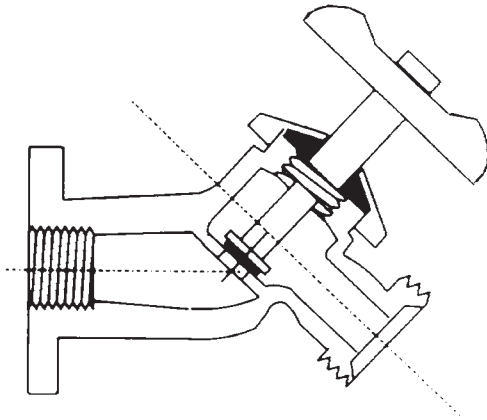
Sillcocks

M74

Sillcock

Inlet: FIP Threaded

Outlet: Hose Thread



DIMENSIONS:

		1/2	3/4
A	<i>End to End</i>	2 3/4	2 3/4
B	<i>Overall Height</i>	3 1/4	3 1/4
C	<i>Diameter of Wheel</i>	2	2
	<i>Weight lbs.</i>	.48	.49



DATE: