

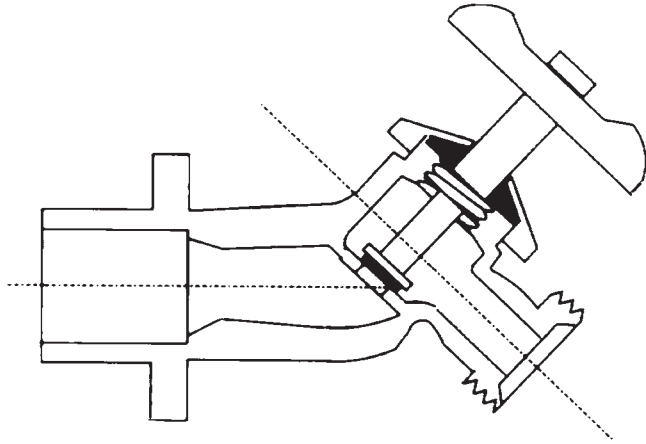
Sillcocks

M74S

Sillcock

Inlet: Solder

Outlet: Hose Thread



DIMENSIONS:

		1/2	3/4
A	End to End	3 1/4	3 3/8
B	Overall Height	3 1/4	3 1/4
C	Diameter of Wheel	2	2
	Weight lbs.	.51	.52



DATE: