

# P200SUE Series SPEC SHEET

## Economy Single Union Ball Valve

Pressure Rating: 150 PSI @ 73° F  
 Max. Temperature: 140° F

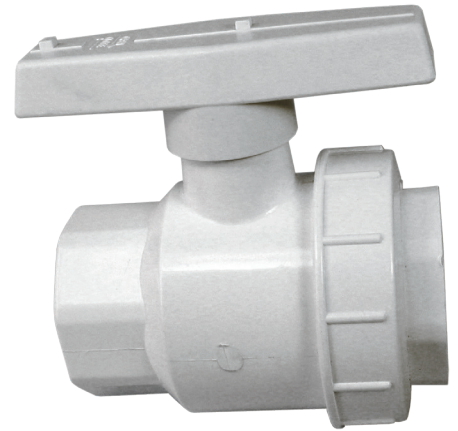
Self lubricating PTFE Seats are corrosion resistant and resistant to most chemicals.

EPDM O-Ring on union end

Low cost

Light weight and compact design suitable for plumbing, pool and spa applications

Not recommended for service or test with compressed air on gases

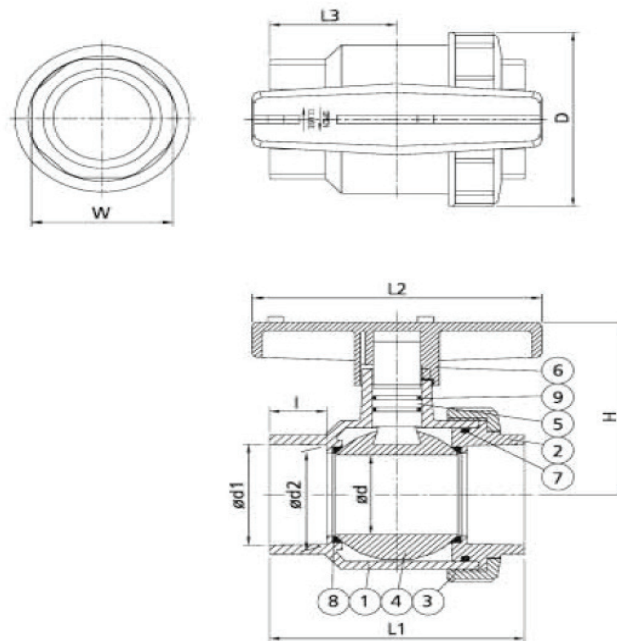


Single Union Ball Valves	Body	Ends	Seats	Seals
P200SUE	Sch 40 PVC	Socket	PTFE	EPDM

Size	1 1/2"	2"
$\varnothing d1$	1.91	2.39
$\varnothing d2$	1.89	2.37
$\varnothing D$	3.44	4.13
$\varnothing d$	1.52	1.89
H	3.35	4.09
W	2.36	2.76
l	1.09	1.16
L1	4.53	5.12
L2	4.76	5.79
L3	2.22	2.55

### MATERIALS

NO.	PART	MATERIALS	QTY
1	Body	PVC	1
2	End Connector	PVC	1
3	Union Nut	PVC	1
4	Ball	PVC	1
5	Stem	PVC	1
6	Handle	ABS	1
7	Union O-Ring	EPDM	1
8	Seats	PTFE	2
9	Stem O-Ring	EPDM	2



DATE: