

P200SU Series SPEC SHEET

Single Union Ball Valve

Pressure Rating: 150 PSI @ 73° F
 Max. Temperature: 140° F (PVC)
 Max. Temperature: 180° F (CPVC)

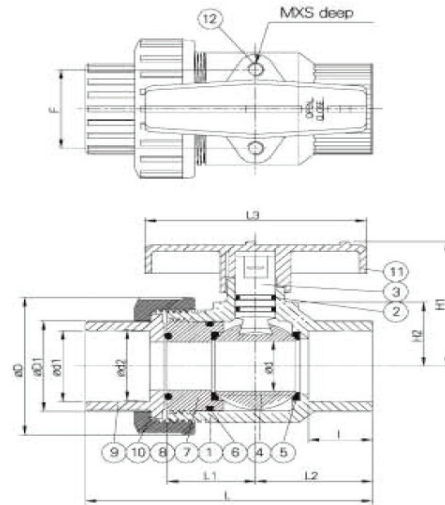
Compact. Fits in tight spaces.
 One-way blocking union ball valve
 Easy manual operation
 Not recommended for service or test with compressed air or gasses



Single Union Ball Valves	Body	Ends	Seats	Seals	Sizes
P200SU	Sch 80 PVC	NPT	PTFE	EPDM	1/2" - 2"
P200SUS	Sch 80 PVC	Socket	PTFE	EPDM	1/2" - 2"
P200SUC	CPVC	NPT	PTFE	EPDM	1 1/2"

Size	1/2"	3/4"	1"	1 1/4"	1 1/2"	2"
Ød1	0.85	1.06	1.32	1.67	1.91	2.39
Ød2	0.84	1.05	1.31	1.66	1.89	2.37
ØD	1.83	2.17	2.60	3.23	3.86	4.72
ØD1	1.22	1.46	1.77	2.13	2.56	3.11
Ød	0.51	0.71	0.91	1.18	1.50	1.89
H1	1.85	2.24	2.60	2.91	3.43	4.17
H2	0.83	1.02	1.30	1.50	1.57	2.01
I	0.87	1.00	1.13	1.25	1.38	1.50
L	3.86	4.53	4.92	5.59	6.02	7.36
L1	1.18	1.46	1.54	1.73	1.81	2.20
L2	1.61	1.85	2.01	2.24	2.56	3.27
L3	3.07	3.62	3.94	4.33	4.76	5.79
Thd./in. NPT	14	14	11.5	11.5	11.5	11.5
S	0.31	0.31	0.43	0.43	0.43	0.59
F	1.18	1.30	1.57	1.85	2.05	2.76
M	M5	M6	M6	M8	M8	M8
Cv	8	15	29	75	90	140

The Cv Factor is the gallons of water per minute passed through the valve, with a 1 PSI pressure drop.



MATERIALS

NO.	PART	MATERIALS	QTY
1	Body	PVC, CPVC	1
2	Stem O-Ring	EPDM	2
3	Stem	PVC, CPVC	1
4	Ball	PVC, CPVC	1
5	Seat	PTFE	2
6	Carrier O-Ring	EPDM	1
7	Seal Carrier	PVC, CPVC	1
8	Union O-Ring	EPDM	1
9	Union Ends	PVC, CPVC	1
10	Union Nut	PVC, CPVC	1
11	Handle	ABS	1
12	Insert Nut	C3604	1

DATE:

