

P21 SPEC SHEET

BUTTERFLY VALVES SIZES 8" - 24"

WITH GEAR OPERATOR

Body Materials: PVC, CPVC, PP and PVDF

Style: Wafer/Lug

Seat: EPDM, FPM

Test Pressure: 150 PSI @ 73°F (8", 10")

Test Pressure: 100 PSI @ 73°F (12", 14")

Maximum Temperature: 140°F

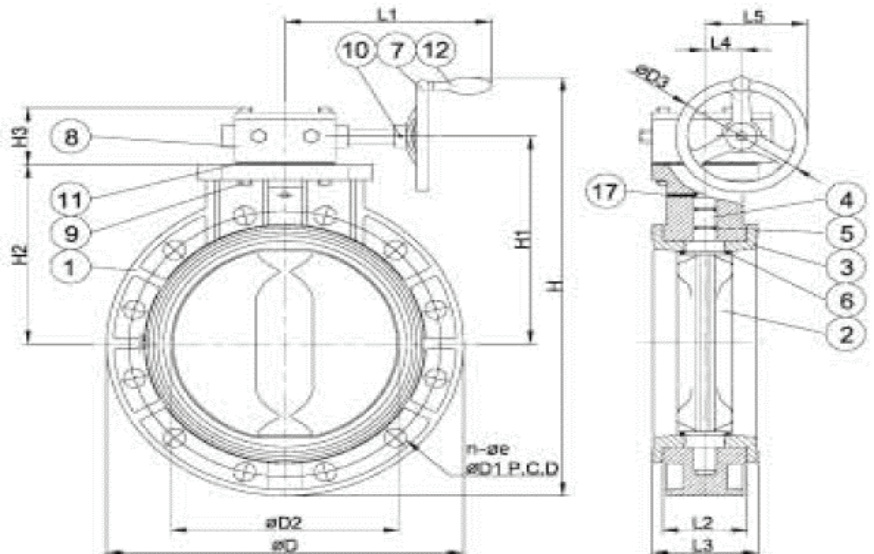


Size	8"	10"	12"	14"
ØD1	11.77	14.25	17.01	18.74
n-Øe	8 - 0.91	12 - 0.98	12 - 0.98	12 - 1.14
ØD	13.50	16.18	19.29	20.87
ØD2	7.95	10.04	12.20	13.98
ØD3	7.95	7.95	9.84	9.84
H	20.63	23.15	27.91	28.86
H1	9.98	11.16	13.39	13.46
H2	8.25	9.43	11.73	11.81
H3	3.05	3.05	3.07	3.07
L1	10.41	11.20	12.99	12.99
L2	3.11	4.09	5.00	4.74
L3	3.35	4.29	5.18	5.00
L4	2.36	2.36	2.36	2.36
L5	6.34	6.34	7.28	7.28
Cv	2300	3680	5580	6370

The Cv Factor is the gallons of water per minute passed through the valve, with a 1 PSI pressure drop.

MATERIALS

NO.	PART	MATERIALS	QTY
1	Body	PVC	1
2	Disc	PP	1
3	Seat	EPDM, FPM	1
4	Stem	SUS	1
5	Stem O-Ring	EPDM, FPM	2
6	Disc O-Ring	EPDM, FPM	2
7	Handwheel	FC	1
8	Gear Box	FC	1
9	Bolt & Washer	SUS 304	4
10	Spring Pin	SUS	1
11	Packing	EPDM 8" - 14"	1
12	Small Handle	Steel	1
17	Pin	SUS	1



SIZE	TORQUE (in/lbs)
8"	1085
10"	2170
12"	3255
14"	4687



DATE: