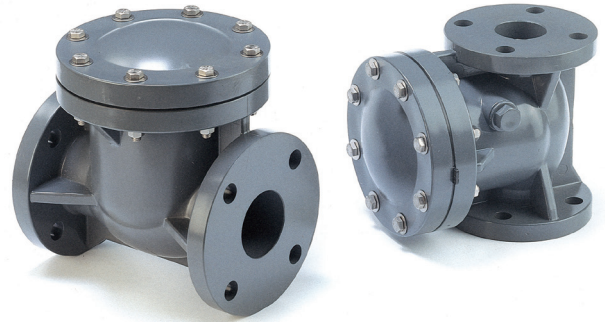


# P440F Series SPEC SHEET

## Flanged Swing Check Valve

Working Pressure: 150 PSI @ 73° F - 2" - 3"  
 Working Pressure: 100 PSI @ 73° F - 4" - 6"  
 Working Pressure: 75 PSI @ 73° F - 8"  
 Max. Temperature: 140° F



Minimum flow resistance - Low pressure drop.  
 Horizontal or vertical installation.  
 Minimum back pressure to seat the disc.  
 Top access cover for maintenance, with removal from pipeline.  
 Not recommended for use in systems with debris or slurry.  
 Not recommended for service or test with compressed air or gasses.

Swing Check Valves	Body	Style	Ends	Seats	Seals
P440F	Sch 80 PVC	Swing Check	Flanged	PTFE	EPDM

Size	2"	2 1/2"	3"	4"	6"	8"
ØD	5.98	7.01	7.52	9.02	11.22	13.50
ØD1	4.76	5.51	5.98	7.52	9.49	11.77
L	7.87	9.45	10.24	11.81	15.75	19.69
H	6.50	6.63	6.65	8.54	11.22	13.31
T	0.79	0.87	0.87	0.94	1.02	1.18
n-Øe	4 - 0.75	4 - 0.75	4 - 0.75	8 - 0.75	8 - 0.91	8 - 0.91
Cv	125	255	285	490	1050	1800

Minimum Back Pressure to Close the Valve (PSI)

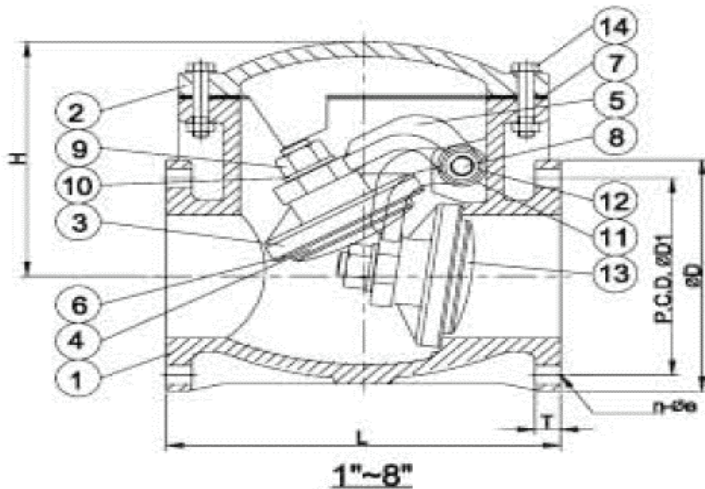
SIZE	Horizontal	Vertical
2"	5	4
2 1/2"	5	4
3"	5.7	5
4"	5.7	5
6"	6.5	6
8"	6.5	6

The Cv Factor is the gallons of water per minute passed through the valve, with a 1 PSI pressure drop.

Size	30° F - 80° F	81° F - 85° F	86° F - 120° F
2"	150	135	100
2 1/2"	150	135	100
3"	150	135	100
4"	100	100	75
6"	100	100	75
8"	75	75	55

### MATERIALS

NO.	PART	MATERIALS	QTY
1	Body	PVC	1
2	Bonnet	PVC	1
3	Disc	PVC	1
4	Disc Holder	PVC	1
5	Swing Arm	PVC	1
6	Seat	EPDM	1
7	Gasket	EPDM	1
8	Shaft	PTFE	1
9	Disc Nut	PVC	1
10	Disc Washer	PVC	1
11	Sheet Gasket	EPDM	1
12	Sheet Bolt	PVC	1
13	Disc Bolt	PVC	1-8
14	Bolt Sets	Steel (SUS 30)	6-16



DATE: