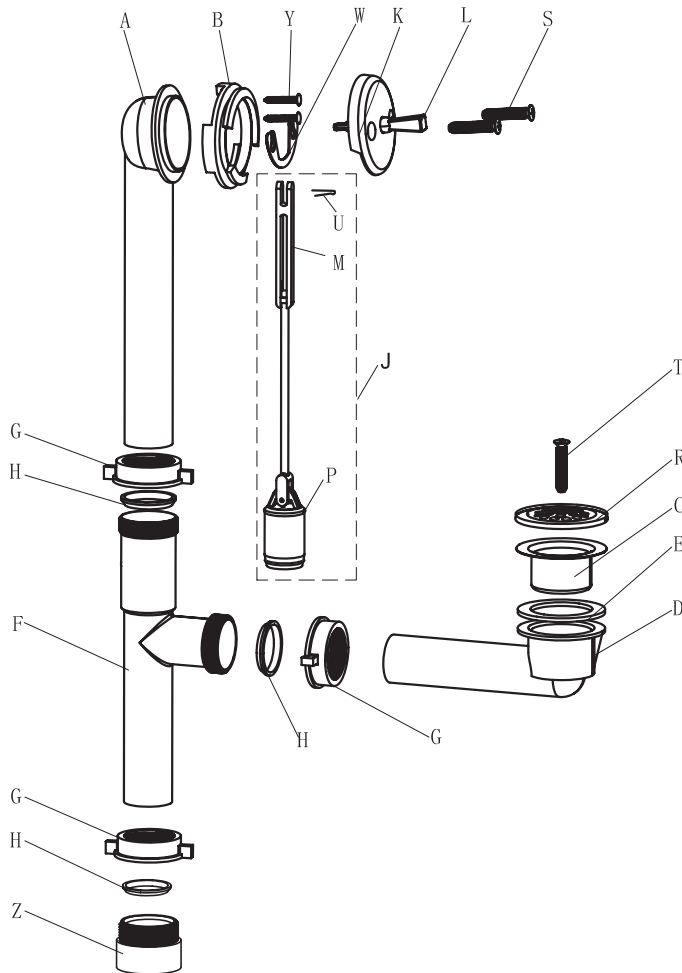


TD1BNTL TRIP LEVER BATH DRAIN INSTALLATION INSTRUCTIONS

Installation of a bath waste can be the most time consuming operation performed by a plumber. Special attention has been given by American Valve® to simplify this job as much as possible. Observe local plumbing codes.

1. Remove the grid (R) and shoe strainer (C) from the shoe elbow (D). Apply plumber's putty or silicone sealant (not included) around the underside flange of the shoe strainer. Align the shoe elbow and rubber washer (E) under the tub drain hole. Screw the shoe strainer through the tub into the shoe elbow. Tighten using pliers or strainer wrench (not included).
2. Place one slip nut (G) and washer (H) on the shoe elbow (D) with the threads of the slip nut and beveled edge of the washer facing the end of the tube.
3. Insert the end of the shoe elbow tube (D) into the waste tee (F) and loosely tighten the slip nut (G).
4. Place the rubber washer (B) onto the overflow elbow (A), with the large inner lip of the washer at the top of the tube (see drawing). Place one slip nut (G) and washer (H) on the overflow elbow tube with the threads of the slip nut and the bevel of the washer facing the end of the tube. Loosely attach the retainer bracket (W) to the overflow elbow using the two sheet metal screws (Y).
5. Insert the overflow elbow tube (A) in the waste tee (F) and loosely tighten the slip nut (G). Align the overflow elbow with the overflow hole in the tub. Insert the retainer bracket (W) through the overflow hole in the tub so that the retainer bracket is inside the tub, and tighten the screws.
6. Connect the waste tee (F) to the floor drain using adapter (Z), slip nut (G), and washer (H), if required.
7. Attach the linkage (M) to the trip lever face plate (K) by aligning the holes and inserting the cotter pin (U).
8. Insert the plunger linkage assembly (J) together with the faceplate (K) through the overflow elbow (A) from the inside of the tub. Adjust the length of the linkage to the tube height by turning the threaded rod located inward (M). When in the closed position, the plunger (P) must rest on the internal stop of the waste tee (F).
9. Attach the trip lever plate (K) to the overflow elbow (A) using two machine screws (S).
10. Check the operation of the plunger mechanism by raising and lowering the trip lever handle (L).
11. Install the strainer grid plate (R) and secure in place with the grid retaining screw (T).
12. Tighten all slip joint connections. Check for leakage by filling the tub with water to the overflow opening.



A	Overflow
B	Rubber Gasket
C	Strainer
D	Shoe Elbow
E	Rubber Washer
F	Tee
G	Nut
H	Slip Washer
J	Plunger Linkage Assembly
K	Faceplate
L	Handle
M	Linkage
P	Plunger
R	SS Grid
S	Screw
T	Screw
U	Clip
W	Retainer Bracket
Y	Screw
Z	Adapter