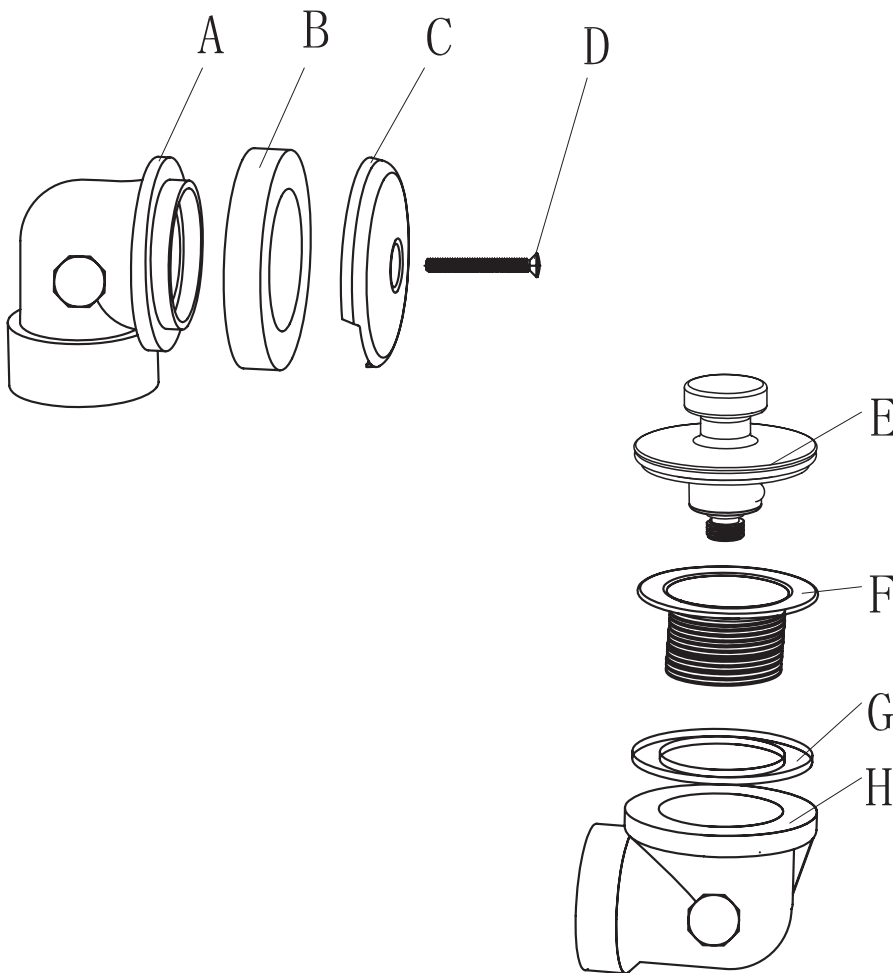


## TD4CRTCK TWIST AND CLOSE PLUMBER'S PAK INSTALLATION INSTRUCTIONS

Installation of a bath waste can be the most time consuming operation performed by a plumber. Special attention has been given by American Valve® to simplify this job as much as possible. Observe local plumbing codes.

1. Remove the twist and close (E) from the shoe strainer (F). Apply silicone sealant (not included) around the underside flange of the shoe strainer. Align the shoe elbow (H) and the rubber washer (G) under the tub drain hole. Screw the shoe strainer through the tub, into the shoe elbow. Tighten using pliers or strainer wrench (not included).
2. Place the rubber gasket (B) on the overflow elbow (A). Align the overflow elbow with the outside of the overflow hole in the tub.
3. Attach the overflow cover plate (C) using one machine screw (D).
4. Install overflow tube (not included), waste tee (not included) and shoe drain tube (not included) in accordance with local plumbing codes.
5. Screw the twist and close (E) back into the shoe strainer (F).
6. Test for leakage.



A	Overflow
B	Foam Gasket
C	Faceplate
D	Screw
E	Stopper
F	Strainer
G	Rubber Washer
H	Shoe Drain